



apRaspi A/S: aluminium/sheet steel

apRaspi P1/P2/P3: plastics

The new enclosures series **apRaspi** offers the possibility to wrap mini PC boards chick and functional – either with the standard types for Raspberry Pi (see chart) or for related boards like Arduiono or Banana Pi – individuality is our strength!

Each enclosure may be modified to customer's request. You need additional contacts or cards, fixing possibilities or supports – no problem! Further more, threaded bolts and pins as well as special colours and printing are possible. **Just ask us!**

Composition:

Enclosure consists of 2 half shells which can be easily stuck together

Material:

- apRaspi A:** aluminium 1mm
- apRaspi S:** sheet steel 1mm
- apRaspi P1:** ABS/aluminium brush
- apRaspi P2/P3:** polystyrene

Finish:

- apRaspi A/S:** powder coated black + blue*
- apRaspi P1:** fine structure black + aluminium brush
- apRaspi P2/P3:** fine structure blue + grey*

Dimensions (W x H x D):

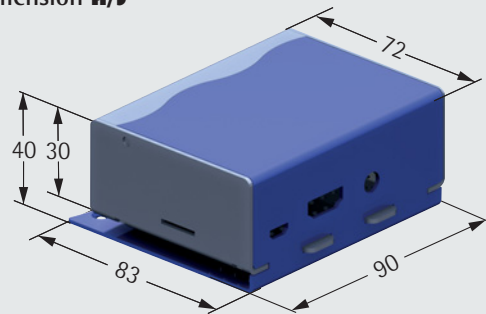
- apRaspi A/S:** 90 x 40 (30) x 83 (72) mm
- apRaspi P1/P2/P3:** 116 (97) x 31 x 63,5 mm

Accessories:

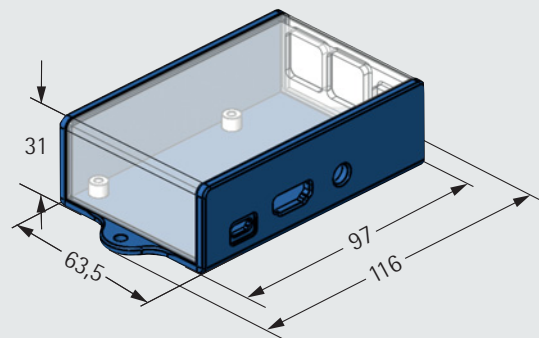
threaded pins (apRaspi A / S), spacer bolts for tapping screws (apRaspi P1/P2/P3), mounting material

*other colour combinations available on request!

Dimension A/S



Dimension P1/P2/P3



Description	Order no.
apRaspi A	205-480-05
apRaspi S	205-480-00
apRaspi P1	4192-744-00
apRaspi P2/P3	4192-745-00

apra-norm Elektromechanik GmbH

Bei der untersten Mühle 5 · D-54552 Mehren/Vulkaneifel
Phone: +49 (0) 65 92 204-0 · Fax: +49 (0) 65 92 204-158 · sales@apra.de · www.apra-norm.com

Subject to technical modification

03.05.2017

138



Looking for the perfect enclosure for your Maker Boards? Here it is!



Customised enclosures for Raspberry Pi, Arduino & Co. made of plastics - without tooling costs!

It's done! Your project with Asus Tinker, Arduino, Raspberry Pi or Banana Pi is finally ready - what now? Where to find the matching enclosure?

apra provides you with enclosures for standard boards made of metal (aluminium and sheet metal) or plastics.

We'll also support you with solutions for more sophisticated tasks like the installation of Extension Boards, cameras and displays.

Whereas a single piece solution is usually too expensive, things get interesting **at a lot size of only 50 pieces**: you tell us which components will be installed and we design and build the suitable enclosure made of plastics - without tooling costs! See how it's done:



Be creative with a variety of possible colours, shapes and materials. Just send us your sketches and data sheets - and let us do the rest.

The following animation illustrates the setup of our "apRaspi" enclosure:



Any questions? We'll be glad to advise you!

Your contact:

Kai Gayer

**Tel. +49 (0)6592 / 9502-33
k.gayer@apra-plast.de**



apra-plast Kunststoffgehäuse-Systeme GmbH

Hamsterweg 9 · D-54550 Daun-Pützborn

Tel.: (+49 (0) 6592 9502-0 · vertrieb@apra.plast.de · www.apra-plast.de

Subject to technical modification

03.05.2017

138



... the perfect shell for valuable electronics