

Individual configuration 245

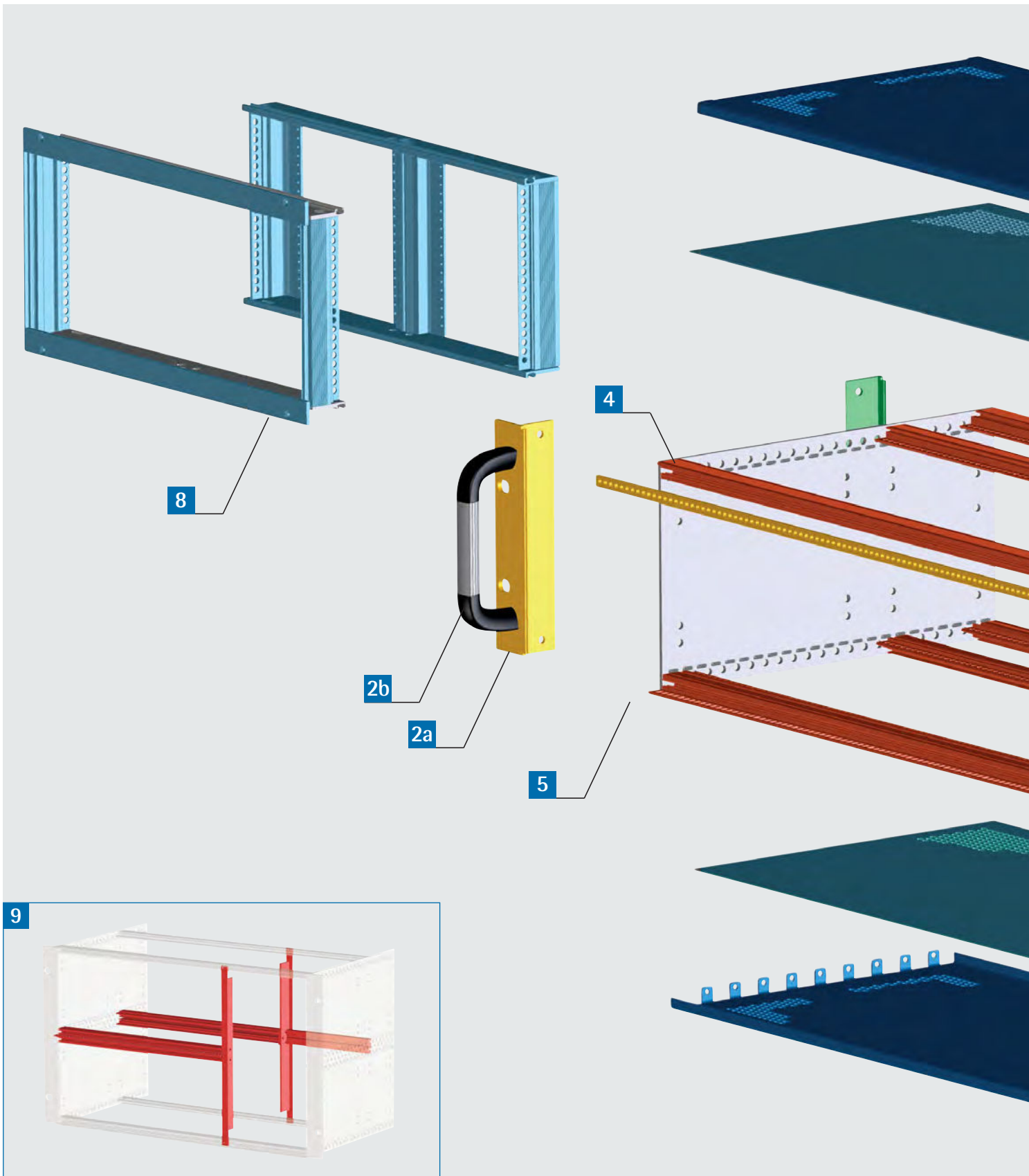


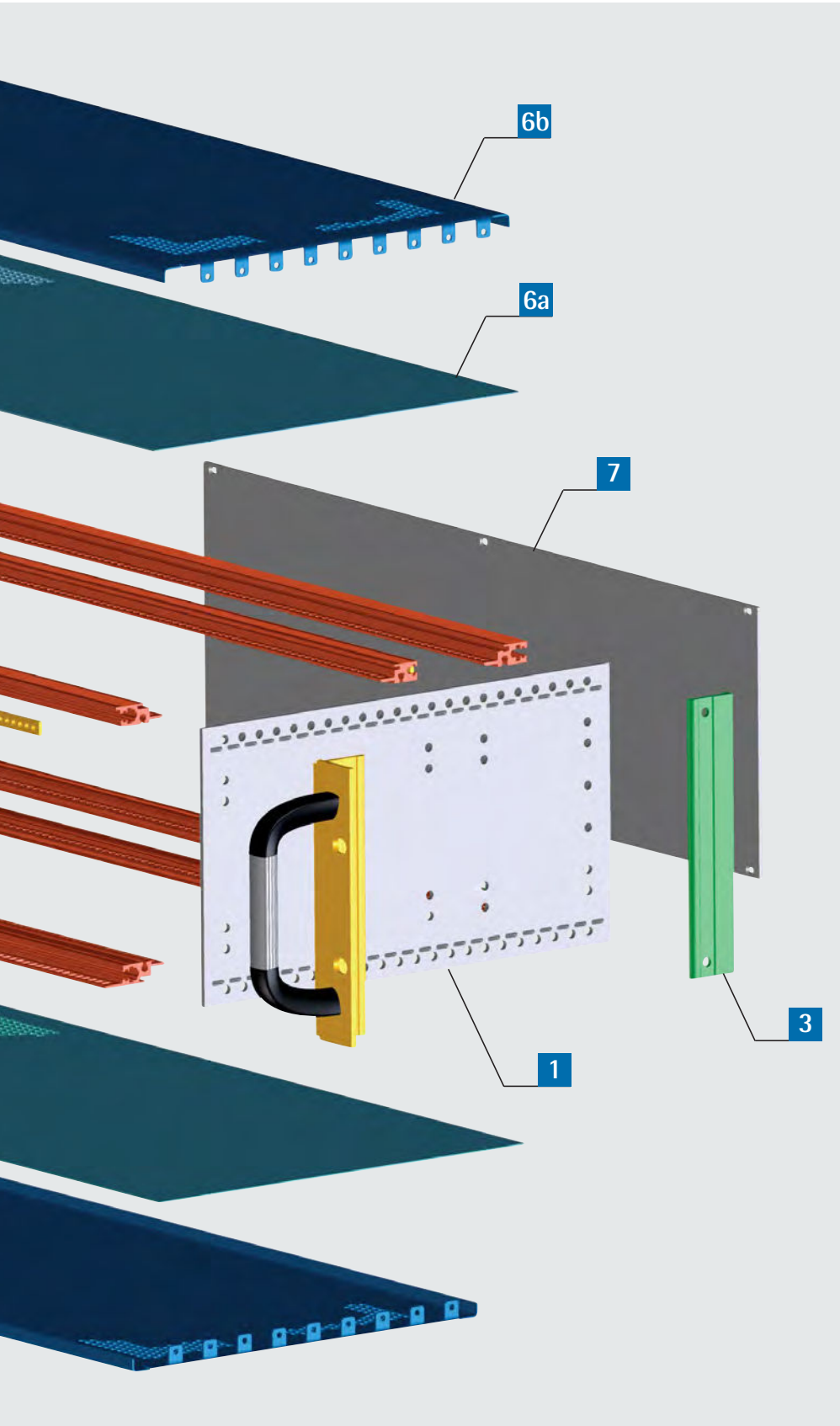
... the perfect shell for valuable electronics



245 • 19" subrack, individual configuration

Individual configuration: Design your customised subrack 245.





Item	Description	page
1	Side panel	102
2a	Front bracket	103
2b	Front panel handle	103
3	Cover bracket	104
4	Module rails	105
5	Threaded inserts	107
6a	Cover panel	108
6b	EMC cover panel	109
7	Rear panel	109
8	Horizontal expansion kit (3 U subrack)	110
9	Vertical expansion kit (6 U Subrack)	111
10	EMC contact clip (w/o fig.)	113
11	Assembly material	112

Accessories (without fig.)	page
Z-rails	114
Insulating strips	115
Contact strips	115
Card guides:	
- standard	116
- integrated	117
- with coding	118
- divided	120
Card lock	121
Extraction handle	121
Group lock	121
Extension kit	122
Connecting kit	122

Other dimensions and electromechanical components on request!



Customised front panels including print, foils, input systems or keyboards –

please ask for our front panel express!



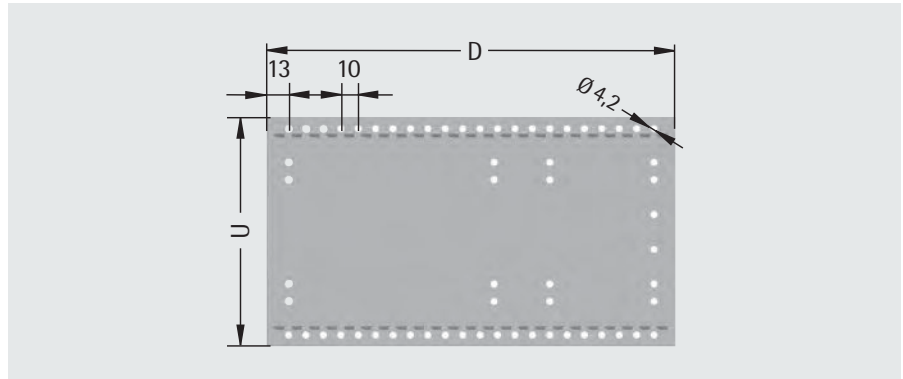


245 • 19" subrack, individual configuration

1a Side panel, not ventilated

- side panels can be expanded by use of the expansion kit (see page 122)

Material:
aluminium 2,5 mm



U	H mm	D mm	Order no.
3	132,5	176	245-301-50
		236	245-302-50
		296	245-303-50
		336	245-309-53
		356	245-304-50
4 (3+2 x 1/2)	177	296	245-403-50
		356	245-404-50
4	177	296	245-943-50
6	266	176	245-601-50
		236	245-602-50
		296	245-603-50
		336	245-609-53
		356	245-604-50
7 (6+2x 1/2)	310,5	296	245-703-50
		356	245-704-50

Other dimensions on request!

1b Side panel, perforated

- prepared with ventilation holes and studs for the mounting of fans
- side panels can be expanded by use of the expansion kit (see page 122)

Material: aluminium 2,5 mm

Matching fan 2 U

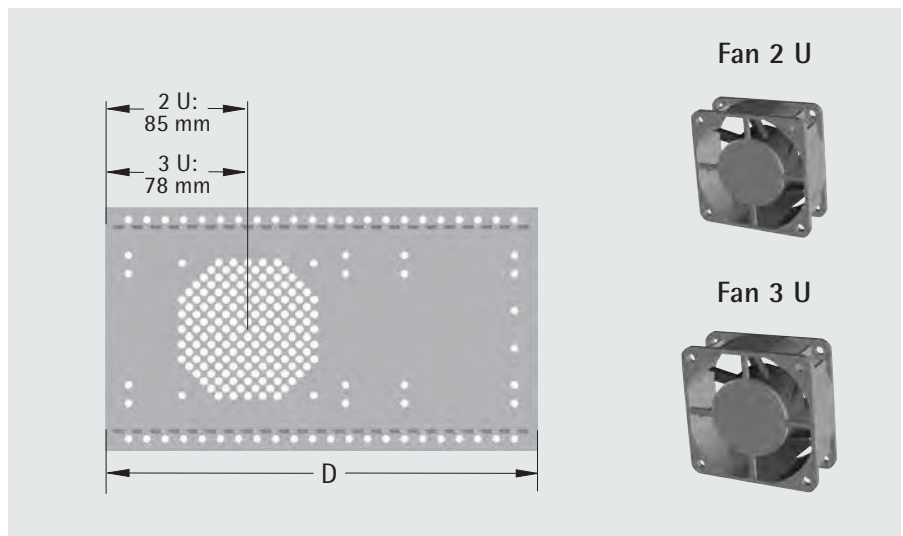
- dimensions: 60 x 60 x 25 mm
- voltage: 12 V
- fan output: 40 m³/h

Order no.
230-825

Matching fan 3 U

- dimensions: 80 x 80 x 25 mm
- voltage: 12 V
- fan output: 58 m³/h

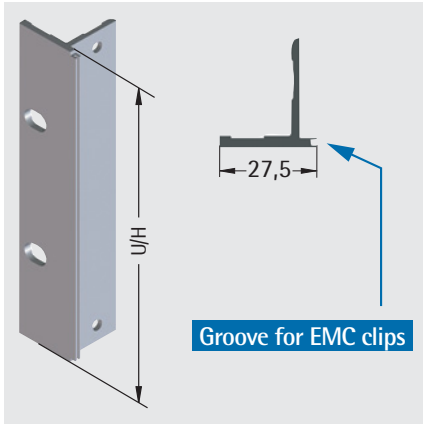
Order no.
230-828



U	H mm	D mm	Order no.
2	88	236	245-202-50
		296	245-203-50
3	132,5	176	245-301-58
		236	245-302-58
		296	245-303-58
		356	245-304-58



2a Front bracket without holes for handle



- with integrated groove for inserting EMC contact springs [11] (see p. 113)

Material:

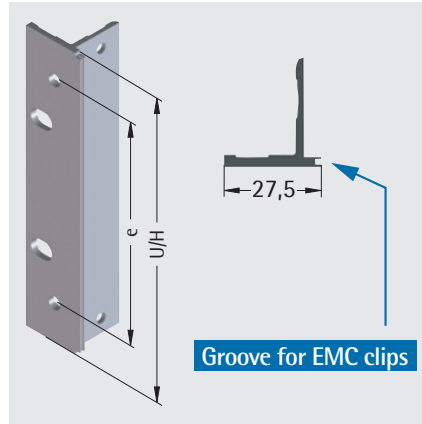
aluminium

Surface:

visible surface anodised, contact surfaces partially chromated

U	H mm	Order no.
2	88	240-038-12
3	132,5	240-038-13
4	177	240-038-14
4 (3+2x 1/2)	177	240-038-54
6	266	240-038-16
7	310,5	240-038-17

2a Front bracket with holes for handle



- with integrated groove for inserting EMC contact springs [11] (see p. 113)

Material:

aluminium

Surface:

visible surface anodised, contact surfaces partially chromated

U	H mm	e	Order no.
3	132,5	98	240-038-03
4	177	142	240-038-04
4 (3+2x 1/2)	177	142	240-038-44
6	266	232	240-038-06
7	310,5	276	240-038-07

2b Front panel handles



- fits 19" subracks

Material:

end pieces: plastic, black (with M 5)

handle extrusion: anodised aluminium

Delivery:

assembled

Delivery

Item	Pc.	Description
1	2	End pieces
2	1	Handle extrusion

U	e mm	Order no. (1 piece)
3	98	611-336-00
4	142	611-334-00
6	231,5	611-337-00
7	276	611-337-10

Countersunk screw M5 x 12 for handle mounting

- Set = 100 pieces

Order no.
630-121



3 Cover bracket

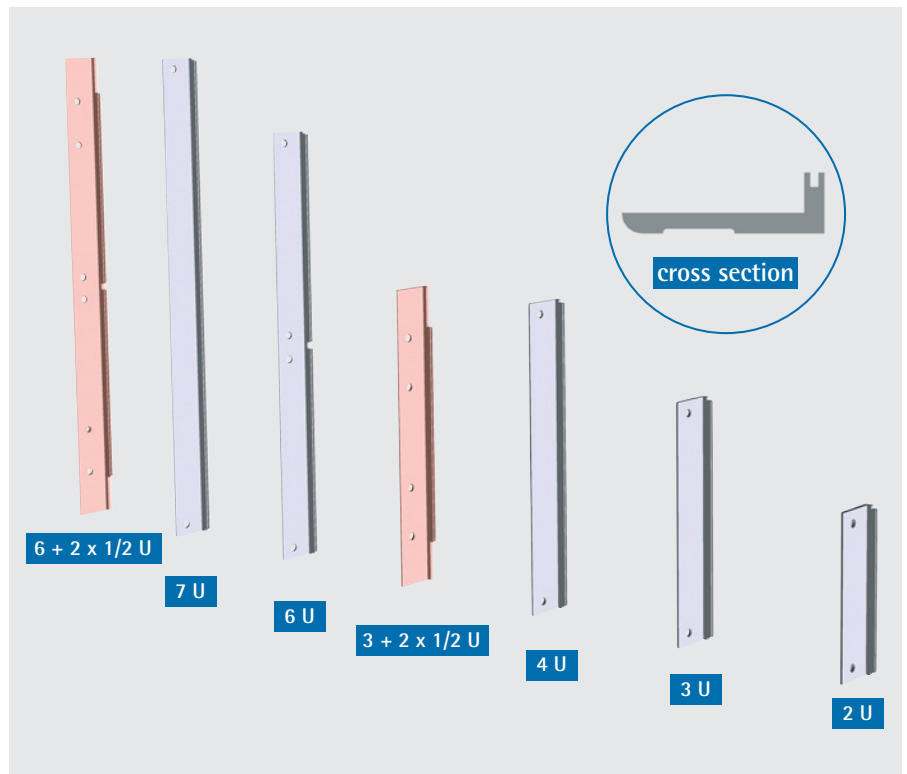
- for covering the gap between side and rear or front panel
- with groove for EMC contact clips [11] (see p. 113) for EMC protection of the rear

Material:

aluminium

Surface:

visible surface anodised, contact surfaces partially chromated



U	H mm	Order no.
2	88	240-037-52
3	132,5	240-037-53
4	177	240-037-54
4 (3 + 2 x 1/2)	177	240-037-64
6	266	240-037-56
7	310,5	240-037-57



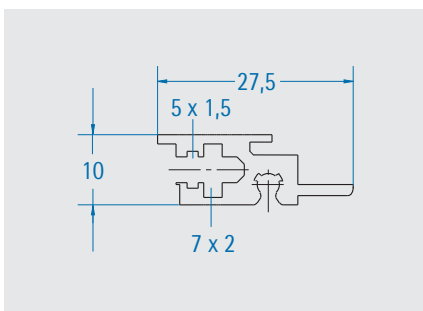
4 Module rails

The following module rails are available:



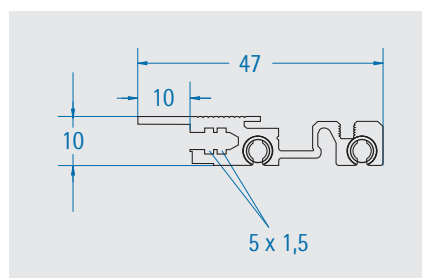
Module rails are 1 HP longer than the subrack's nominal width. Other lengths available on request.

Standard module rail



- for mounting plug-in units and back panels
- with grooves for threaded inserts
- mounting in upper or lower position

Reinforced module rail with 10 mm clearance



- for plug-in units with IEEE-handle
- for higher mechanical loads
- with grooves for threaded inserts
- mounting in upper or lower position

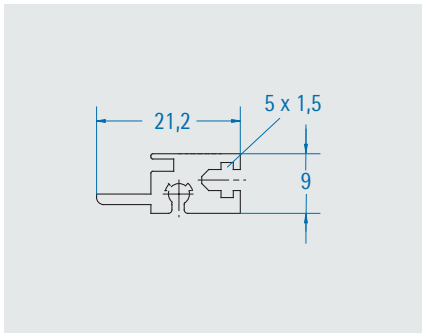
See p. 137 for matching IEEE handles!

HP	L mm	Order no.
85	431,90	241-022-01
64	325,20	241-022-05
57	289,70	241-022-02
43	218,50	241-022-03
29	147,40	241-022-04

HP	L mm	Order no.
85	431,90	241-500-85
64	325,20	241-500-64
57	289,70	241-500-57
43	218,50	241-500-43
29	147,40	241-500-29



BUS module rail

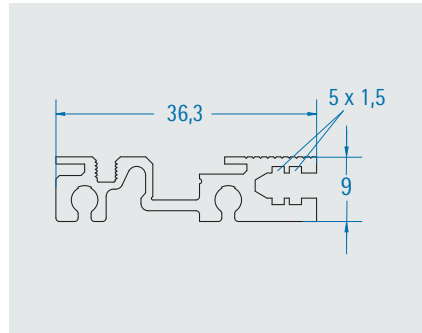


- for mounting BUS cards and back-planes **using EMC springs or insulating strips** (see section beginning on p. 115)
- with grooves for threaded inserts
- mounting in upper or lower position

Please order insulating strips or contact strips separately (see p.115).

HP	L mm	Order no.
85	431,90	241-013-01
64	325,20	241-013-05
57	289,70	241-013-02
43	218,50	241-013-03
29	147,40	241-013-04

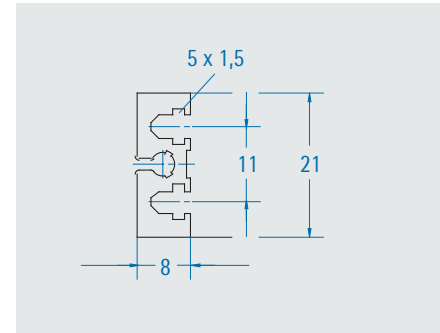
Reinforced BUS module rail



- with integrated contact strips
- for mounting BUS cards and back-planes
- with grooves for threaded inserts
- mounting in upper and lower position

HP	L mm	Order no.
85	431,90	240-513-85
64	325,20	240-513-64
57	289,70	240-513-57
43	218,50	240-513-43
29	147,40	240-513-29

BUS support rail

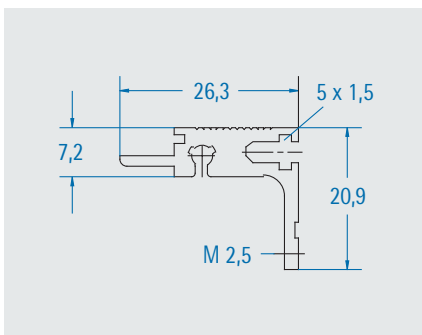


- for mounting BUS cards and back-planes **using EMC springs or insulating strips** (see section beginning on p. 115)
- with grooves for threaded inserts
- mounting in middle position

Please order insulating strips or contact strips separately (see p.115).

HP	L mm	Order no.
85	431,90	241-020-01
64	325,20	241-020-64
57	289,70	241-020-57
43	218,50	241-020-43
29	147,40	241-020-29

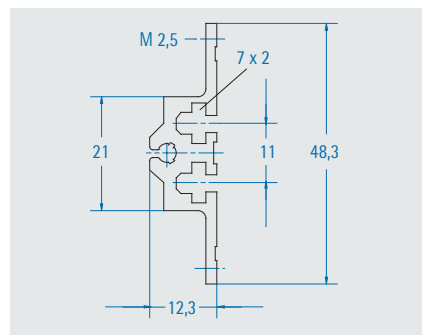
Narrow module rail, integrated



- with integrated mounting rail for connectors acc. to IEC 60603-2
- with grooves for threaded inserts
- mounting in upper or lower position
- notched

HP	L mm	Order no.
85	431,90	267-919-01
64	325,20	267-919-05
57	289,70	267-919-02
43	218,50	267-919-03
29	147,40	267-919-04

Support rail



- with integrated mounting rail for plug-in connections acc. to IEC 60603-2
- with grooves for threaded inserts
- mounting in middle position
- notched

HP	L mm	Order no.
85	431,90	241-108-85
64	325,20	241-108-64
57	289,70	241-108-57
43	218,50	241-108-43
29	147,40	241-108-29



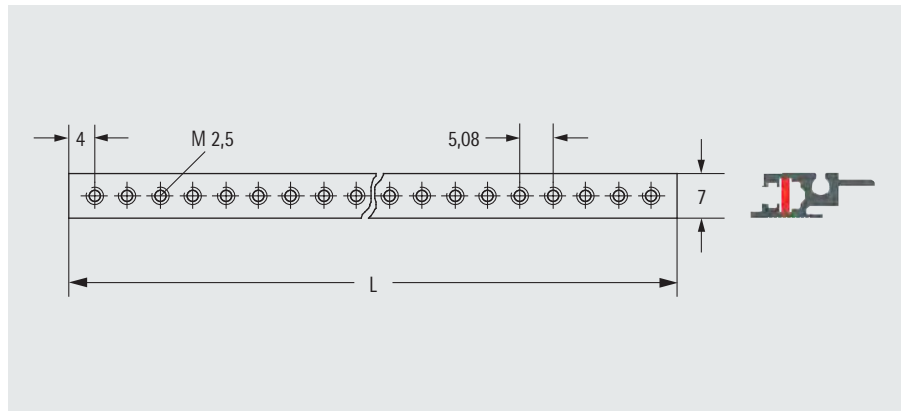
5 Threaded inserts

M 2,5 threaded insert 7 x 2 mm

- threaded inserts, galvanised 7 x 2 mm for use with standard module rails

Finish: galvanised

HP	L mm	Order no.
85	429,90	240-051
64	323,20	240-055
57	287,70	240-052
43	216,50	240-053
29	145,40	240-054

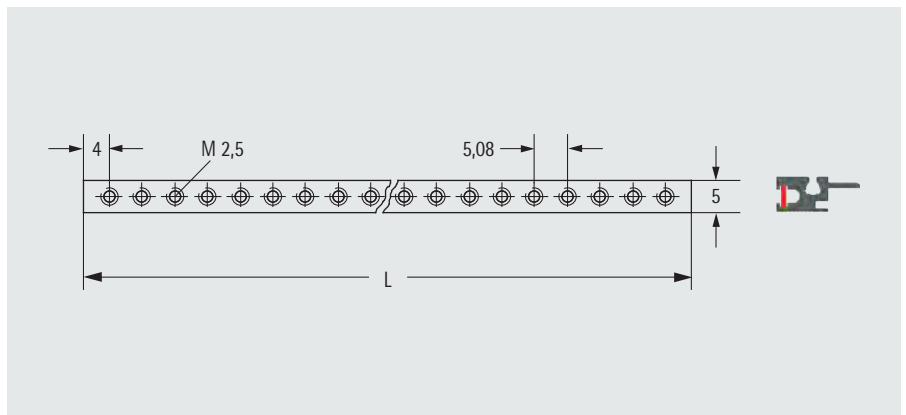


M 2,5 threaded insert 5 x 1.5 mm

- threaded insert M 2,5 for use with BUS module rails/ BUS support rails as well as reinforced module rails

Finish: galvanised

HP	L mm	Order no.
85	429,90	240-061
64	323,20	240-065
57	287,70	240-062
43	216,50	240-063
29	145,40	240-064

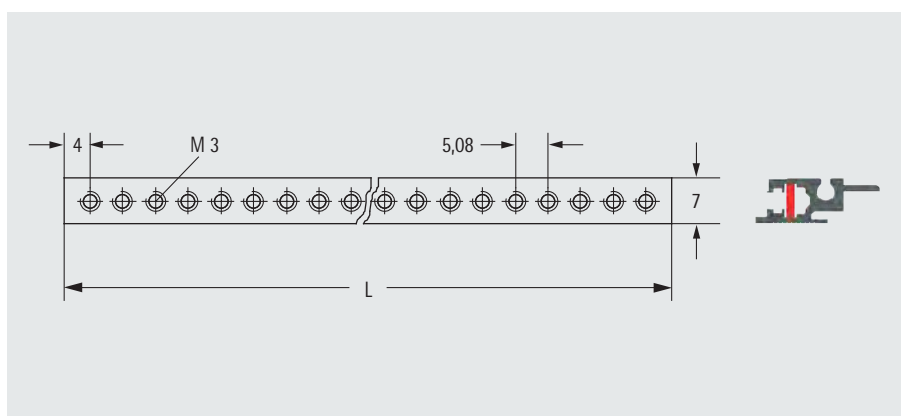


M 3 threaded insert 7 x 2mm

- threaded insert, 7 x 2 mm for use with standard module rails

Finish: galvanised

HP	L mm	Order no.
85	429,90	240-059-85
64	323,20	240-059-64
57	287,70	240-059-57
43	216,50	240-059-43
29	145,40	240-059-29

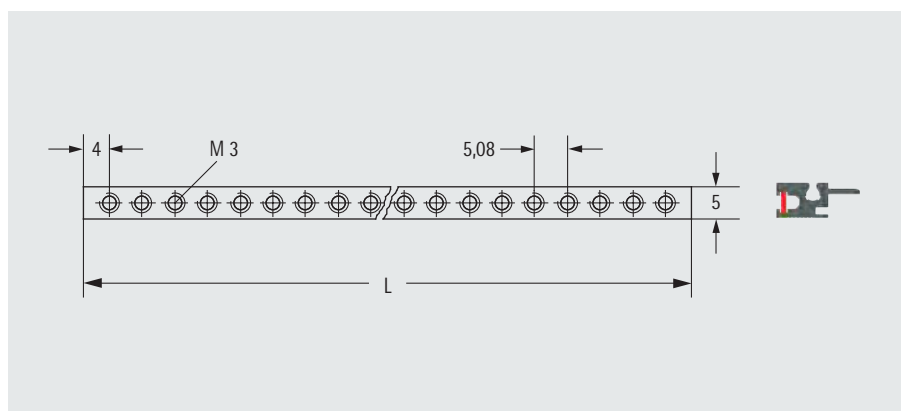


M3 threaded insert 5 x 1.5mm

- threaded insert M 3 for use with BUS module rails / BUS support rails

Finish: galvanised

HP	L mm	Order no.
85	429,90	240-069-85
64	323,20	240-069-64
57	287,70	240-069-57
43	216,50	240-069-43
29	145,40	240-069-29





245 • 19" subrack, individual configuration

6a Cover panel

- for mechanical shielding of subracks
- perforated or closed

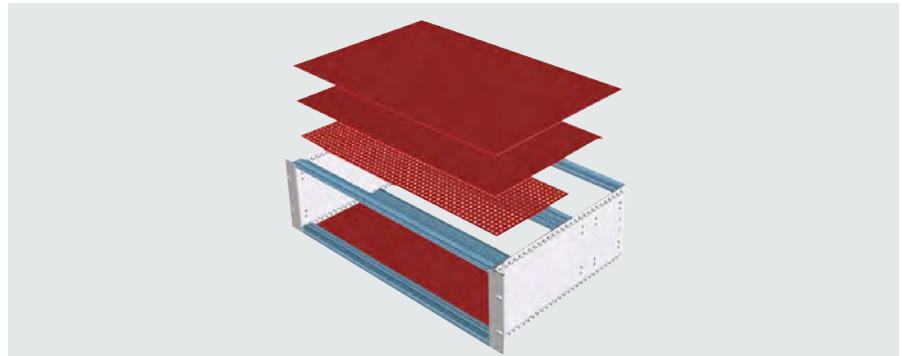
Material:

aluminium panel or perforated aluminium panel 1,0 mm

Degree of protection:

IP 30: closed

IP 20: perforated



Application	Order no. 84 HP		Order no. 42 HP	
	closed	perforated	closed	perforated
Card depth 160 mm plug-in connector IEC 60603-2 	245-011-10	245-011-18	245-031-10	245-031-18
Card depth 160 mm BUS 	240-662-85	240-468-85	240-662-43	240-468-43
Card depth 220 mm plug-in connector IEC 60603-2 	245-012-10	245-012-18	245-032-10	245-032-18
Card depth 220 mm BUS 	240-672-85	240-478-85	240-672-43	240-478-43
Card depth 160 mm / 220 mm plug-in connector Standard IEC 60603-2 	240-671-85	240-475-85	240-671-43	240-475-43
Card depth 160 mm / 220 mm BUS Standard 	240-671-85	240-475-85	240-671-43	240-475-43
Card depth 220 mm plug-in connector IEC 60603-2 Standard 	245-013-10	245-013-18	245-033-10	245-033-18
Card depth 220 mm BUS Standard 	245-013-10	245-013-18	245-033-10	245-033-18
Card depth > 220 mm Standard 	245-014-10	245-014-18	-	-



6b EMC cover panel

- perforated/ closed
- with honeycomb perforations for optimum air flow (approx. 63%)
- EMC-compliant design
- including assembly material

Material:

aluminium

* EMC cover panel 4 U and 7 U are suitable for a x + 2 1/2 U configuration

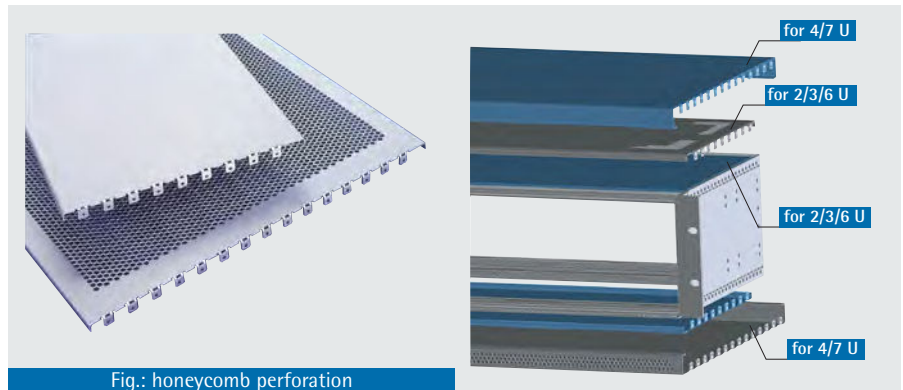


Fig.: honeycomb perforation

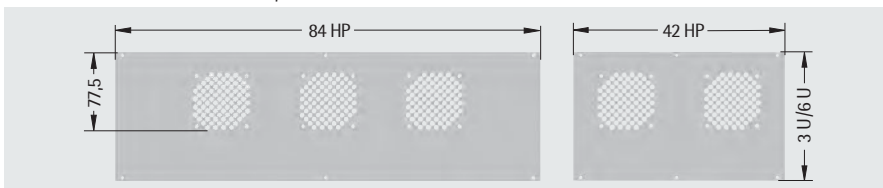
HP	H	D mm	Feature	Order no.
42	2, 3, 6 U	176	not ventilated	245-031-40
			perforated	245-031-48
		236	not ventilated	245-032-40
			perforated	245-032-48
		296	not ventilated	245-033-40
			perforated	245-033-48
84	2, 3, 6 U	176	not ventilated	245-011-40
			perforated	245-011-48
		236	not ventilated	245-012-40
			perforated	245-012-48
		296	not ventilated	245-013-40
			perforated	245-013-48
		356	not ventilated	245-014-40
			perforated	245-014-48
	4, 7 U *	296	not ventilated	245-413-40
			perforated	245-413-48

7 Rear panel

- up to 3 fans can be installed in 84 HP subracks and 2 fans in 42 HP (perforated version)
- including assembly material

Material: aluminium 2.5 mm

Finish: front side: anodised, rear side: conductive



HP	U	Feature	Order no.
42	3	not ventilated	243-042-45
		perforated	243-803-02
84		not ventilated	243-084-45
		perforated	243-803-01
42	6	not ventilated	243-642-45
		perforated	243-806-02
84		not ventilated	243-684-45
		perforated	243-806-01

Fan, 12 V



- for installation in the rear panel
- high-power [PAPST] fan
- flow rate: 40 m³/h
- noise level: 40 dB(A)
- W x H x D: 60 mm x 60 mm x 25 mm
- incl. assembly material

Order no.
230-825



245 • 19" subrack, individual configuration

9 Horizontal expansion kit 6 U/20 HP

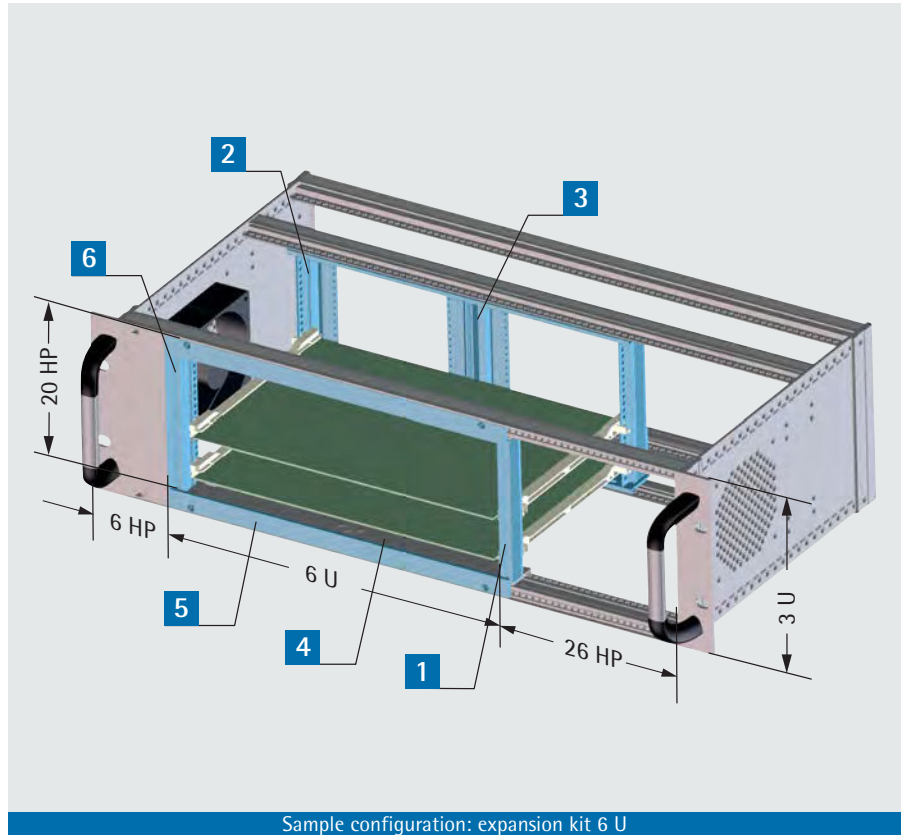
- for installation in 3 U subracks with BUS module rail
- for installing double eurocards horizontally
- PCB's cooled optimally when installed in a subrack with perforated side panels (see fig.)

Application:

for plug-in modules acc. to IEC 60297-3-101/-102/-103 and IEEE 1101.10/1101.11

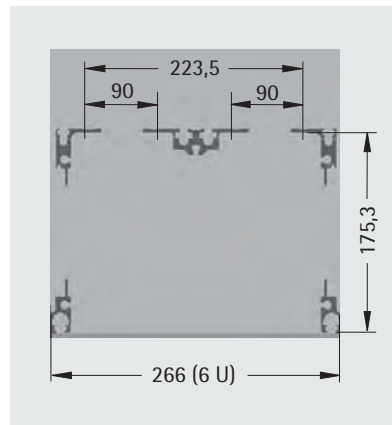
Delivery:

kit form



Sample configuration: expansion kit 6 U

Expansion kit model 1



- depth: 236 mm

front:

- standard module rails, profile no. 241-022

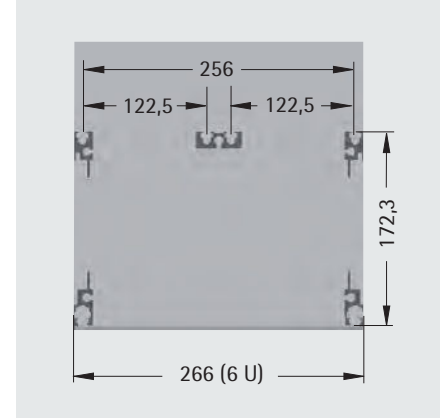
rear:

- narrow module rails with integrated mounting rails, profile no. 241-019 and
- support rail with integrated mounting rail, profile no. 241-008 for plug-in connections acc. to IEC 60603-2

Order no.

245-620-61

Expansion kit model 2



- depth: 236 mm

front:

- standard module rails, profile no. 241-022

rear:

- BUS module rails, profile no. 241-013 and
- BUS support rail, profile no. 241-020

Order no.

245-620-62

Delivery

Item	Pc.	Description
1	2	Module rails, front
2	2	Module rails, rear
3	1	Mounting rail, rear
4	4	Flat rails
5	2	Panels
6	2	Threaded inserts M 2,5 7 mm x 2 mm
7	(4)	Threaded inserts M 2,5 5 mm x 1,5 mm (Model 2)
8		Assembly material



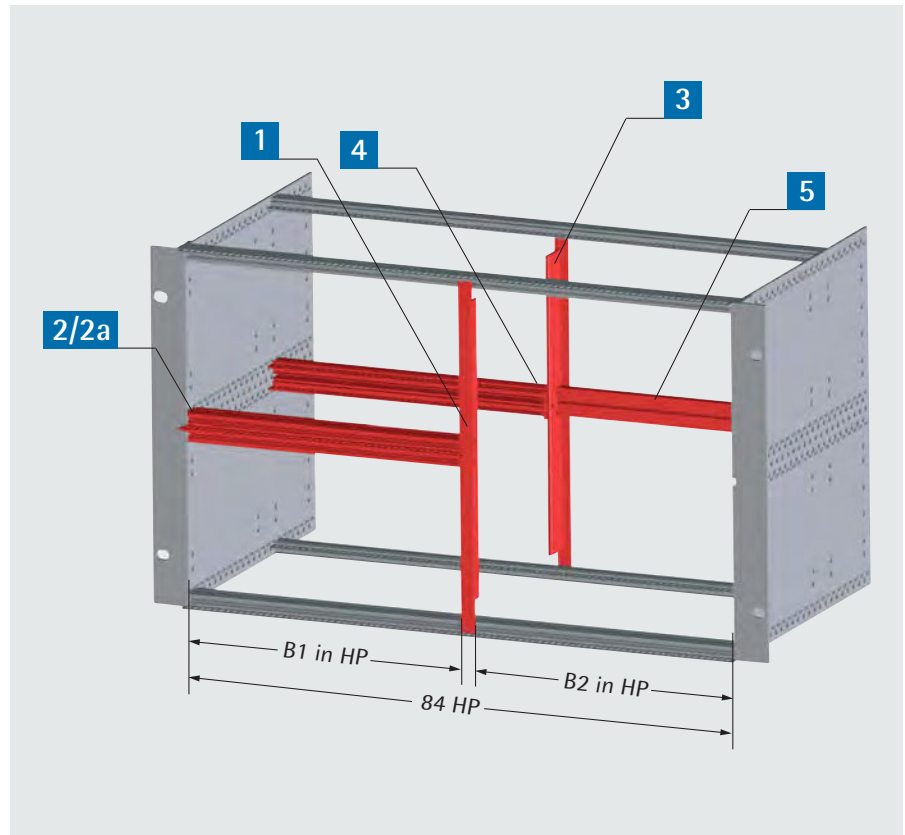
10 Vertical expansion kit 2 x 3 U

- for the separation of the 6 U installation space into 2 x 3 U and 1x 6 U

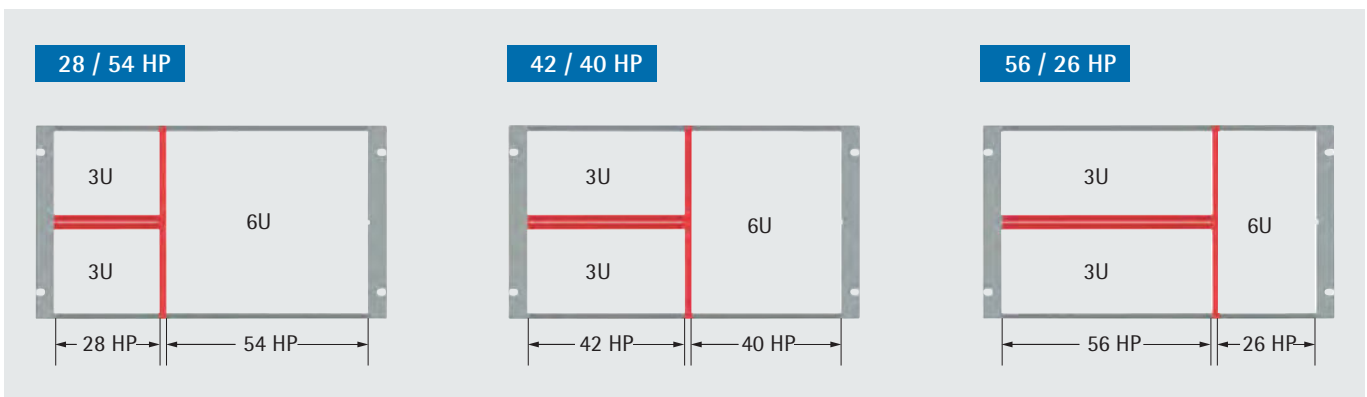
Application:

for plug-in modules acc. to IEC 60297-3-101/-102/-103 and IEEE 1101.10/1101.11

By use of the mounting rails, the usable installation space will be reduced to 82 HP.



Versions



Basic design for plug-in components acc. to IEC 60297-3-101/-102/-103				
Item	Description	Installation space B1 2 x 3 U	Installation space B2 6 U	Order no.
1	Front mounting strut	-	-	241-087
2	Standard module rails	28 HP	54 HP	241-022-04
		42 HP	40 HP	241-022-03
		56 HP	26 HP	241-022-02
2a	Threaded inserts M 2,5	28 HP	54 HP	240-054
		42 HP	40 HP	240-053
		56 HP	26 HP	240-052



245 • 19" subrack, individual configuration

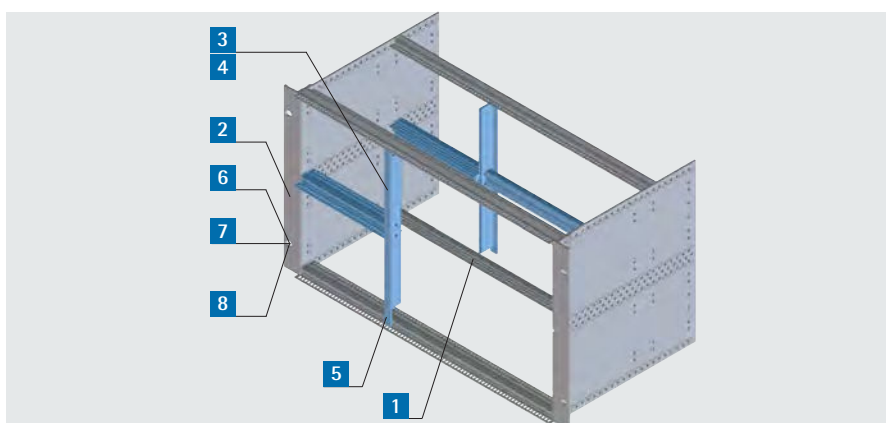
Components combinable with type A for plug-in connector acc. to IEC 60603-2				
Item	Description	Installation space B1 2 x 3 U	Installation space B2 6 U	Order no.
3	Rear mounting strut for narrow module rail with integrated mounting rail	-	-	241-088
4	Narrow module rail with integrated mounting rail	28 HP	54 HP	267-919-04
		42 HP	40 HP	267-919-03
		56 HP	26 HP	267-919-02
5	Mounting rail, integrated	28 HP	54 HP	241-108-02
		42 HP	40 HP	241-108-03
		56 HP	26 HP	241-108-04
Components combinable with type B for BUS cards				
Item	Description	Installation space B1 2 x 3 U	Installation space B2 6 U	Order no.
3	Rear mounting strut for BUS module rail	-	-	241-089
4	BUS module rail	28 HP	54 HP	241-013-04
		42 HP	40 HP	241-013-03
		56 HP	26 HP	241-013-02
4	Threaded inserts M 2,5	28 HP	54 HP	240-064
		42 HP	40 HP	240-063
		56 HP	26 HP	240-062
5	Mounting rail BUS	28 HP	54 HP	241-020-02
		42 HP	40 HP	241-020-03
		56 HP	26 HP	241-020-04
5	Threaded inserts M 2,5	28 HP	54 HP	250-060-54
		42 HP	40 HP	250-060-40
		56 HP	26 HP	250-060-26

11 Mounting screws for subracks

- Packaging unit: 100 pieces

Material:

nickel-plated/galvanised (Item 1, 3, 6)
galvanised (Item 2, 4, 5, 8)
plastic, black (Item 7)



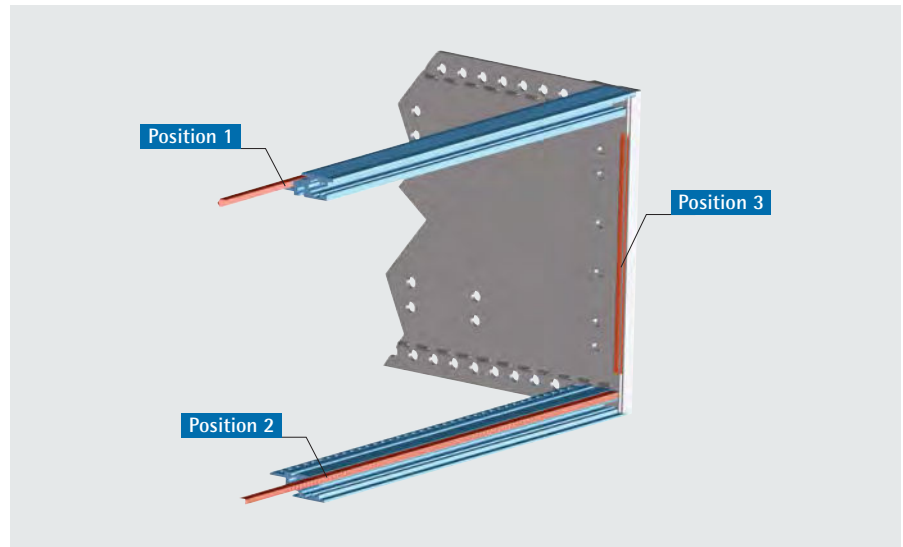
Item	Description	Order no.
1	Oval head screw M 4 x 12 with serration for screw retention	630-096
2	Countersunk screw M 5 x 12 (for mounting of handles)	630-121
3	Oval head screw M 2,5 x 10	630-094
4	Washers ø 2,6	630-152
5	Countersunk screw M 4 x 10	630-119
6	Oval head screw M 5 x 16	630-098
7	Decorative washer with collar (M 5)	610-095
8	Captive nut, gauge number 0,7 mm - 1,7 mm	630-359
8	Captive nut, gauge number 1,8 mm - 2,6 mm	630-362



EMC contact springs

High-quality EMC contact springs increase shield attenuation by bringing individual components into continuous contact with each other.

Material:
copper beryllium
Finish:
tin-plated



Position 1

Horizontal EMC contact gasket 1 contacts module rail and cover panel.

HP	L mm	Order no.
84	427,00	671-182
63	318,00	671-163
42	210,30	671-142

Position 2

Horizontal EMC contact gasket 2 contacts module rail and front or rear panel.

HP	L mm	Order no.
84	427,00	671-183
63	318,00	671-164
42	210,50	671-143

Position 3

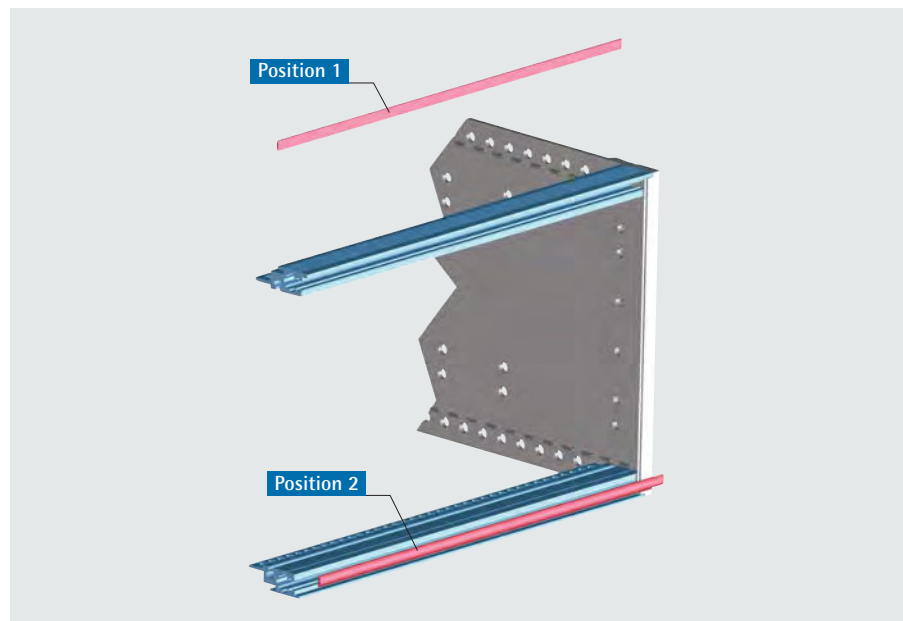
Vertical EMC contact gasket for connecting all front panels with each other and with the front or rear brackets.

U	L mm	Order no.
3	97,00	671-184
6	232,00	671-185

EMC fabric gasket

High-quality EMC fabric gaskets increase the shielding by contacting several components

Material:
polyester-ripstop-nylon
Finish:
nickel-copper coated



Position 1

Horizontal EMC fabric gasket 1 contacts module rail and EMC cover panel

HP	L mm	Order no.
84	430,00	671-227-85

Position 2

Horizontal EMC fabric gasket 2 contacts module rail and front or rear panel

HP	L mm	Order no.
84	427,00	671-229-85



Z-rail, version 1

- for 32-, 64- and 96-pole connectors acc. to IEC 60603-2
- fits with **BUS module rails** without insulating strip or EMC springs

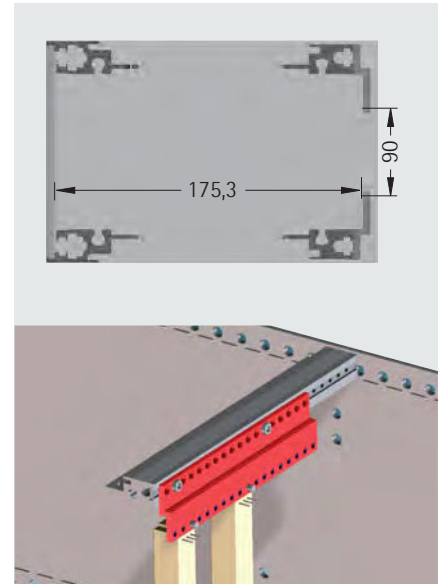
Material:
aluminium

HP	Order no.
85	240-411
57	240-412
43	240-413
29	240-414
10	240-410-10
8	240-410-08
6	240-410-06
4	240-410-04

Assembly material

Order no.
630-092

The Z-rails are 1 HP longer than the subrack's nominal width. Other lengths on request.



Z-rail, version 2

- for 32-, 64- and 96-pole connectors acc. to IEC 60603-2
- fits with **BUS module rails 241-013** with contact or insulating strips and with **BUS module rails 240-513**

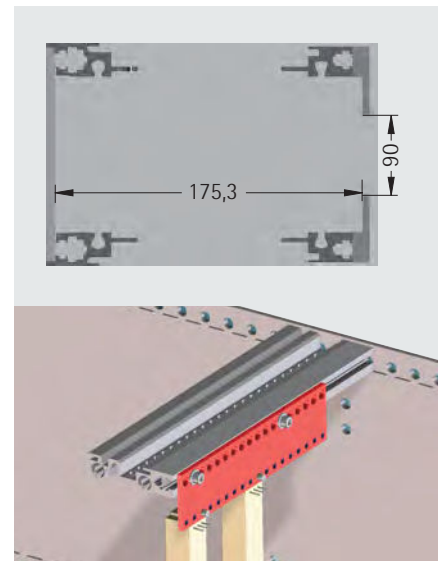
Material:
aluminium

HP	Order no.
85	240-420-85
57	240-420-57
43	240-420-43
29	240-420-29

Assembly material

Order no.
630-092

The Z-rails are 1 HP longer than the subrack's nominal width. Other lengths on request.





Insulating strips

- for insulating backplanes and module rails
- for BUS subracks
- to be used as spacer in order to achieve the required installation depth for plug-in units

Material:

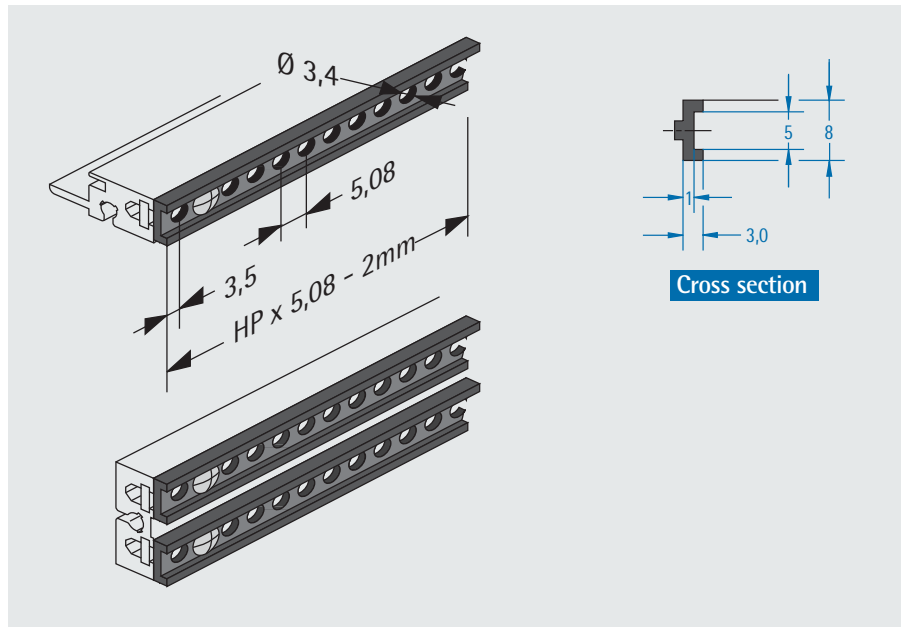
plastic, Noryl UL 94 V-0

Finish:

black

Other lengths available on request.

HP	Order no.
84	250-719
42	250-720
28	250-719-28



Contact strip

- for contacting backplanes and module rails
- to be used as spacer in order to achieve the required installation depth for plug-in units

Material:

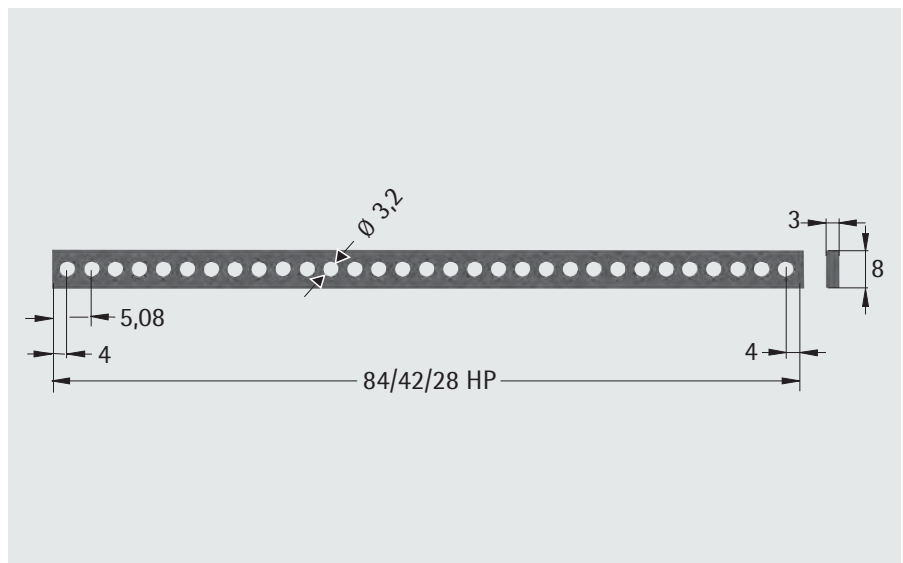
aluminium 3,0 mm

Finish:

transparent chromated

Other lengths available on request.

HP	Order no.
84	250-725-84
42	250-725-42
28	250-725-28





Card guides



Available card guides:

- standard card guide
- integrated card guide
- card guide with IEEE coding
- divided card guide

Standard card guide

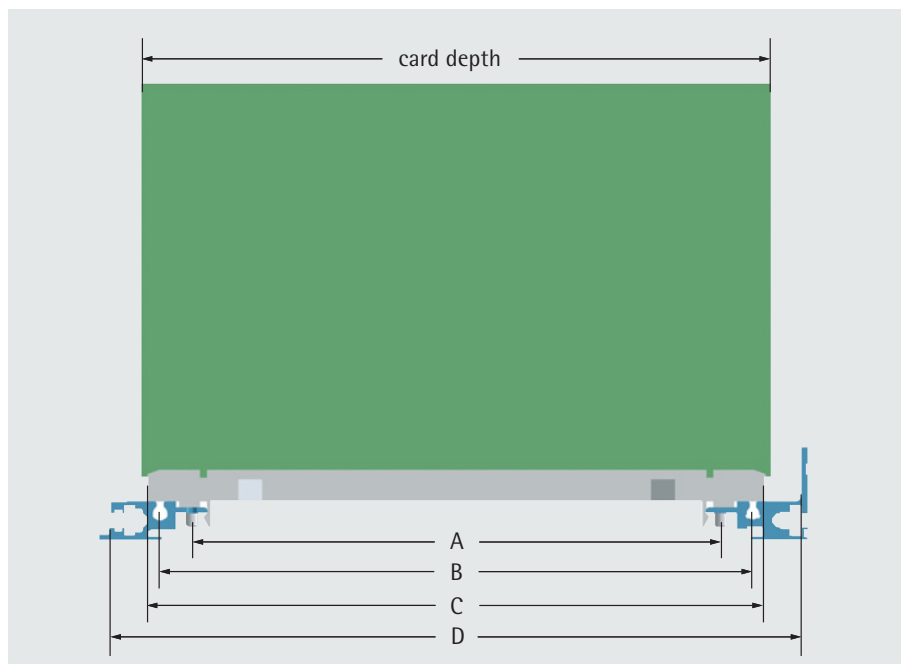
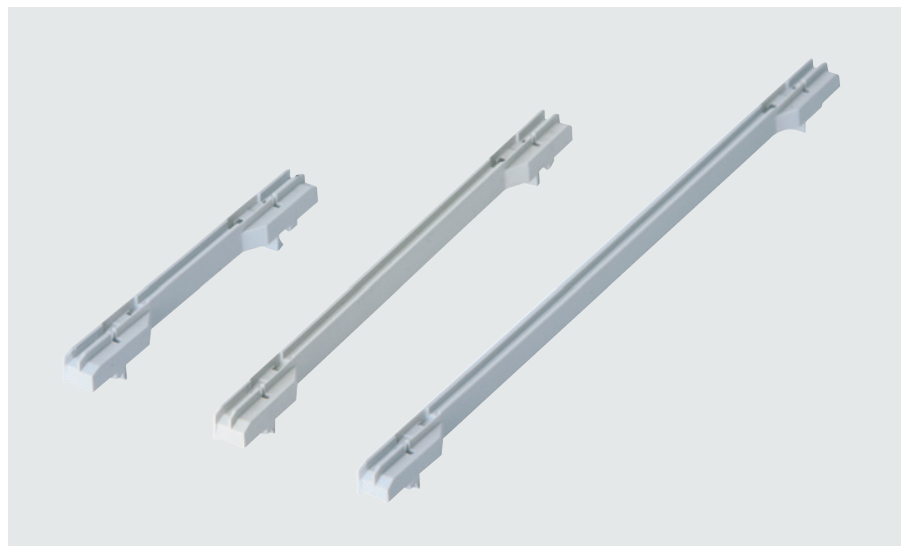
- for installing plug-in modules acc. to IEC 297-3-101/-102/-103
- groove width 2.6 mm for PCB thickness 1.6 mm
- for each card guide two ESD clips can be mounted in order to achieve up to 4 ESD contact points for the PCB
- card guides can be easily assembled to the module rails by simple clipfixation. If required, card guides can be secured with additional screws

Material:

plastic, classified acc. to UL 94-V 0

Finish:

similar RAL 7035 light grey

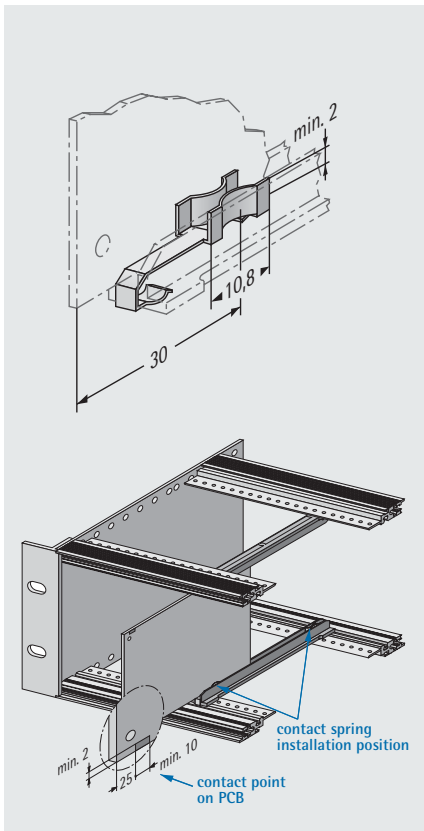


Card depth d mm	Order no.
220	240-406-00
160	240-401-00
100	240-402-00

Card depth mm	Dimensions mm			
	A	B	C	D
220	194	210	216,5	235,3
160	134	150	156,5	175,3
100	74	90	96,5	115,3



ESD clips for standard card guide



- allows conductive connection of PCB and module rail
- one contact gasket per card guide advised, however two possible

Order no.
240-400-30

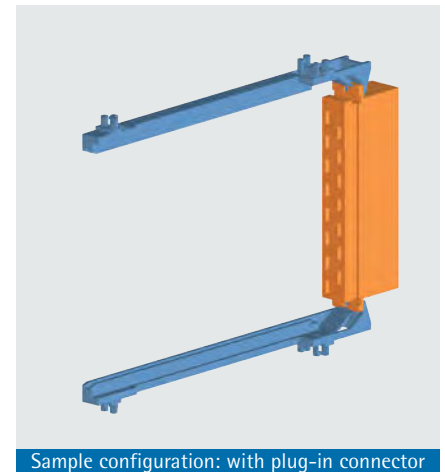
Fixing screw



- for fixing the IEEE card guide

Order no.
631-200

Card guide, integrated



Sample configuration: with plug-in connector

- with integrated attachment for connectors acc. to IEC 60603-2 (cannot be used with profile no. 241-019)
- can be used instead of a z-shaped module rail or the integrated module rail
- particularly suitable for extending a plug-in location of a 3 U backplane (for example power supply)

Material:

plastic, classified acc. to UL 94V-0

Finish:

similar RAL 7035 light grey

Card depth d mm	Order no.
160	240-407-00
220	240-408-00

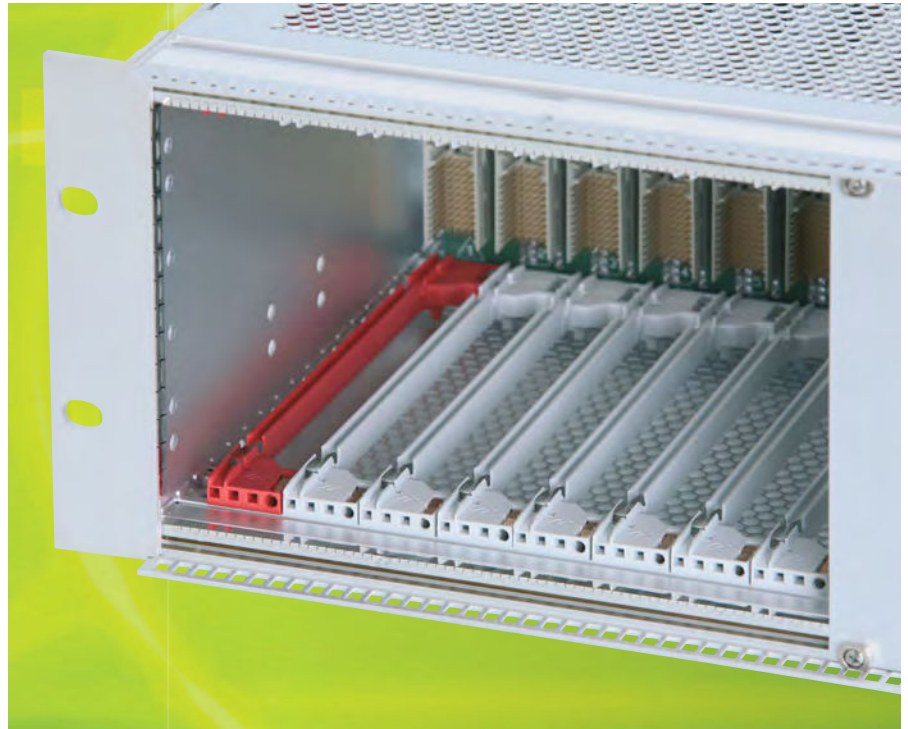


Card guide with IEEE coding

- with pin-chambers for reception of coding pins
- groove width 2.6 mm for PCB thickness 1.6 - 2.0 mm
- can be fitted with 2 ESD clips for discharge of electrostatic charges (recommended: 1x per card guide)
- can be used with ESD clip for contacting the alignment pin of the insertion / extraction handles of front panels

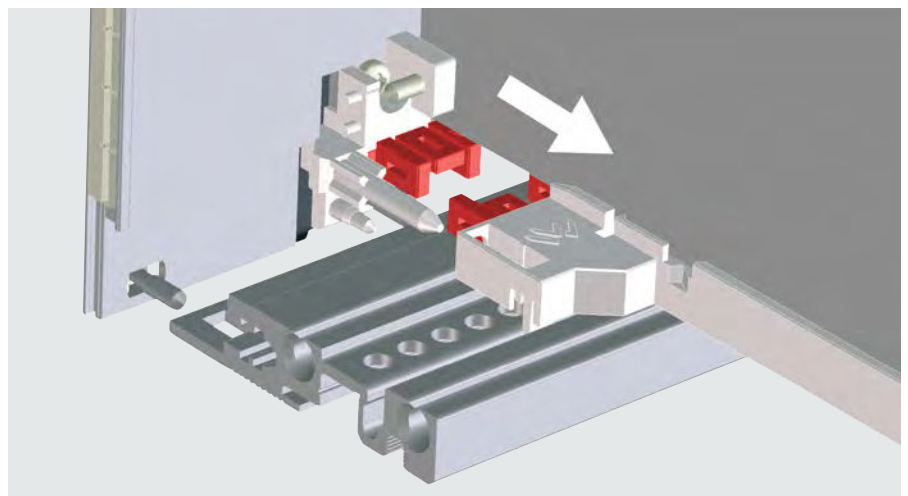
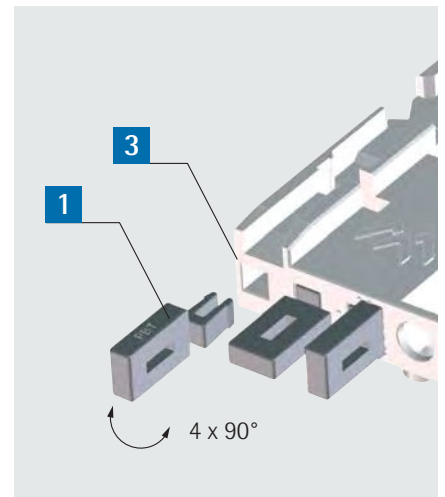
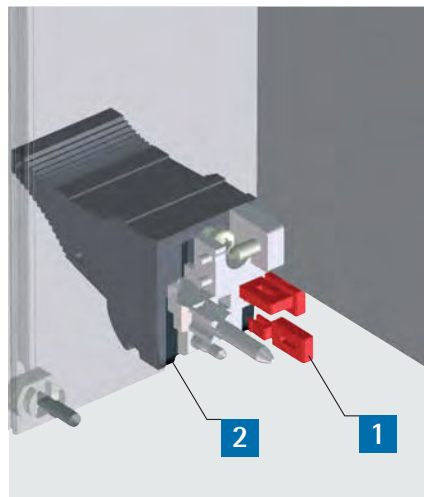
Material:

plastic, classified acc. to UL 94V-0



Application

Coding pins **1** can be inserted into the pin-chambers of the handle **2** and the card guide **3** with function acc. to DIN EN 60297-3-103. By use of the coding pins, the PCB is protected and it is not possible to insert boards by mistake at the wrong position.





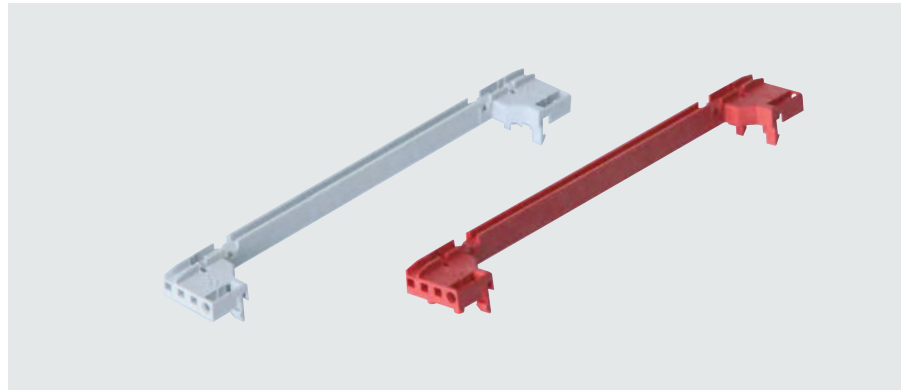
Card guide with IEEE coding 4 HP for card depths of 160 mm

- red colour for system slot / CPU-boards

Finish:

similar RAL 7035 light grey or RAL 3001 signal red

Description	Order no.
grey	240-160-10
red	240-160-20



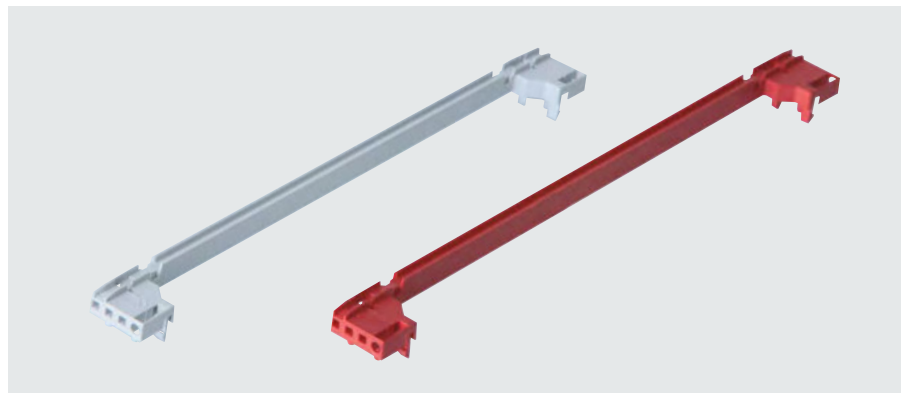
Card guide with IEEE coding 4 HP for card depths of 220 mm

- red colour for system slot / CPU-boards

Finish:

similar RAL 7035 light grey or RAL 3001 signal red

Description	Order no.
grey	240-220-10
red	240-220-20



Card guide with IEEE coding, offset 1/2 HP • for card depths of 160 mm

- allows PCB to be populated on both sides, e.g. for power supplies

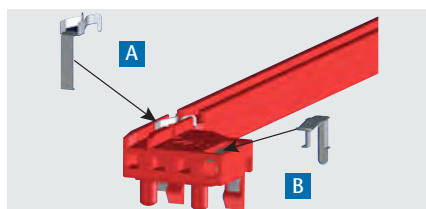
Finish:

green

Order no.
240-160-50



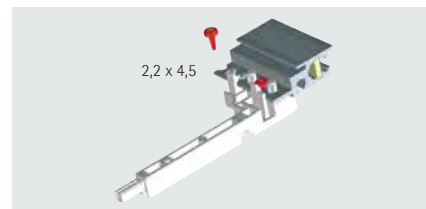
ESD clip



- for discharging electrostatic charges from the PCB [A]
- for discharging electrostatic charges in conjunction with an ESD pin of an injector/ extractor handle [B]

Description	Order no.
ESD spring	240-161-03
ESDspring (alignment pin)	240-162-00

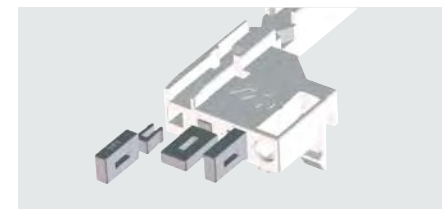
Fixing screw



- for fixing the IEEE card guide

Order no.
631-200

Coding pin



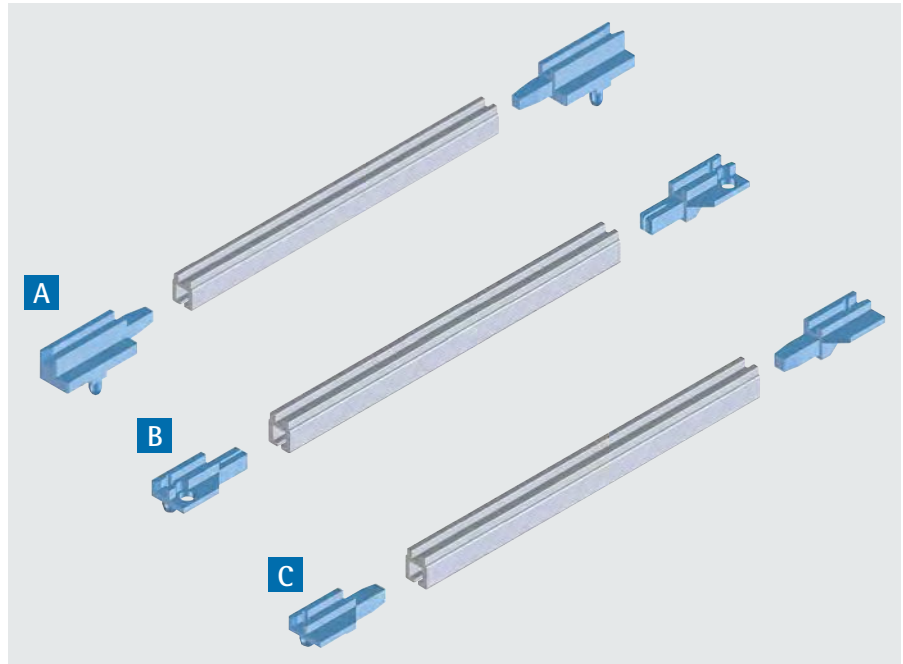
Material:
polycarbonate, classified acc.to UL 94-V 0
Finish:
grey

Order no.
240-163-50

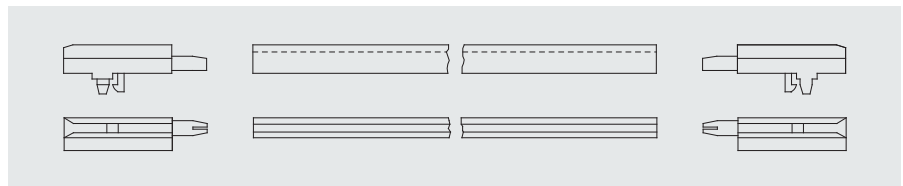


Divided card guides

- consists of 2 end pieces and an aluminium or plastic middle extrusion piece
- middle part: 1000 mm, (can be cut to requested length)



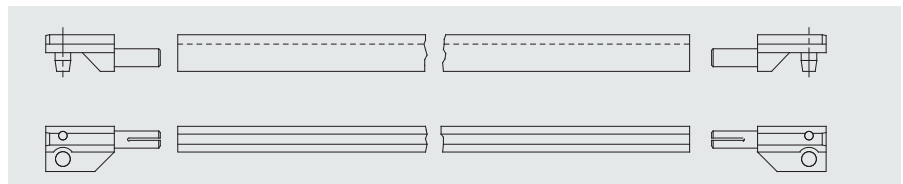
A Divided card guide (standard) for any card depth



Description	Length mm	Material	Order no.
End pieces (pair)	-	plastic (black)	250-721
Middle piece	1000	aluminium	240-005-00
Middle piece	1000	plastic (black)	250-723-00

B Card guide for ISEP PCBs

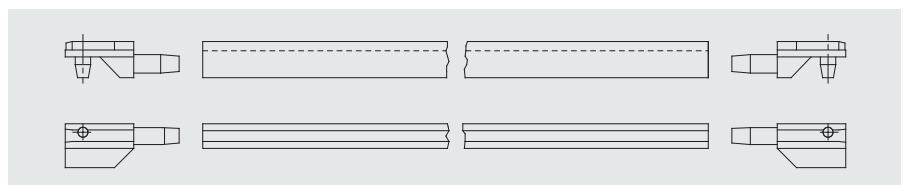
- PCB height in 3 U subracks is 110.49 mm



Description	Length mm	Material	Order no.
End pieces (pair)	-	plastic (black)	250-722
Middle piece	1000	aluminium	240-005-00
Middle piece	1000	plastic (black)	250-723-00

C Card guide for 112.5mm installation headroom in 3 U subrack

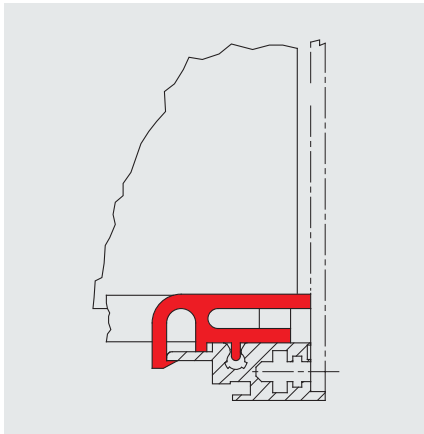
Minimum order quantity 500 pairs!



Description	Length mm	Material	Order no.
End pieces (pair)	-	plastic (black)	250-724
Middle piece	1000	aluminium	240-005-00
Middle piece	1000	plastic (black)	250-723-00



PCB lock



- for fastening PCB's to prevent them from falling out
- can be used with front panels
- snaps into place easily

Material:

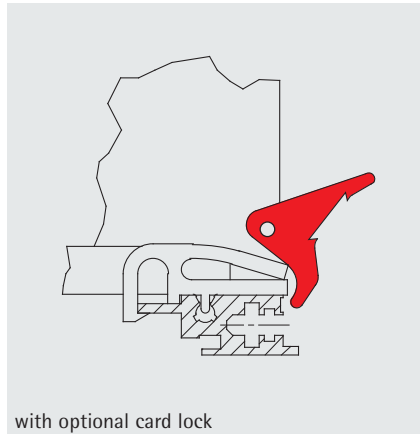
plastics, classified acc. to UL 94-V 0

Finish:

similar RAL 7035 light grey

Order no.
250-716

Extraction handle



with optional card lock

- for extracting PCB's
- the optional PCB lock is opened automatically
- with space for attaching designation strips

Material:

plastics

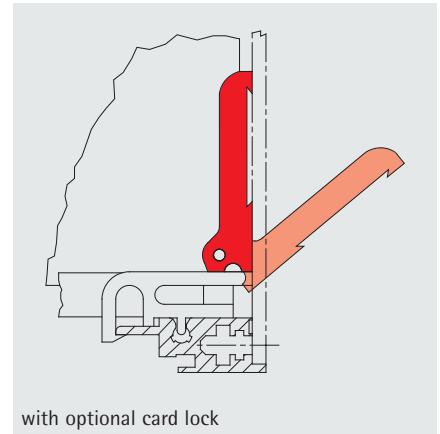
Finish:

matt black

Cannot be used in combination with a front panel.

Order no.
250-715

Extraction handle, flat version



with optional card lock

- can be used with front panels
- the optional PCB lock is opened automatically

Material:

plastics, classified acc. to UL 94-V 0

Finish:

similar RAL 7035 light grey

Order no.
250-717

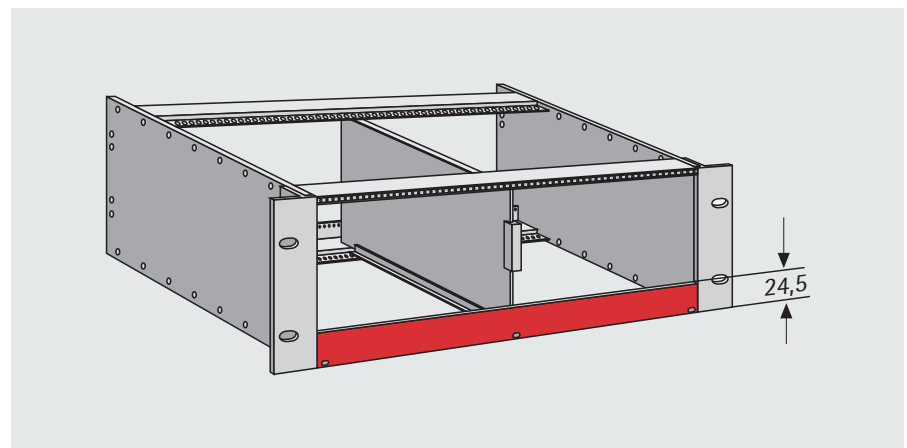
Group lock extrusion

- the aluminium group lock extrusion secures all PCB's
- can be printed with customer-specific information if required

Delivery

Pc.	Description
1	Group lock extrusion, anodised
1	Rubber seal
3/4	Knurled screw
3/4	Screw holder

HP	Order no.
84	240-110-84
63	240-110-63
42	240-110-42





245 • 19" subrack, accessories

Extension kit

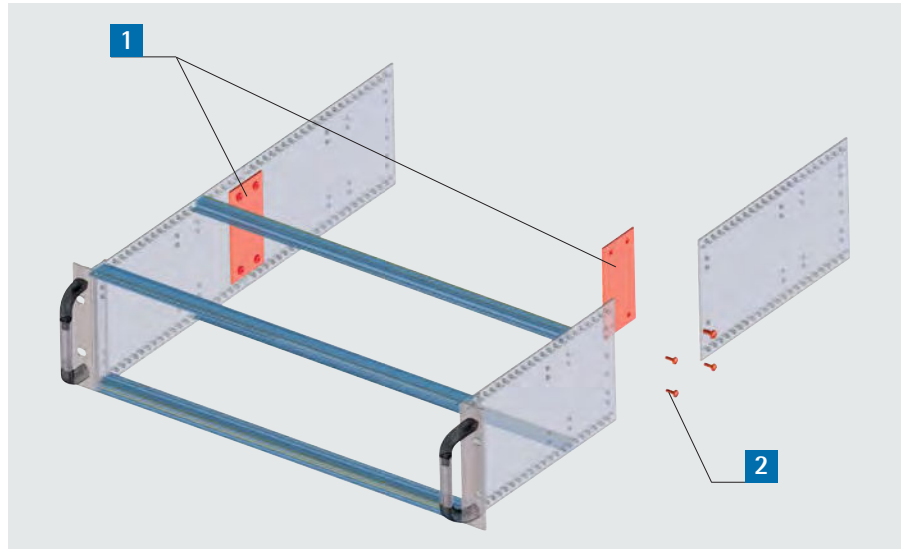
- for extending the side wall of the 245 subrack with one or more side panels

Material:
aluminium 2,0 mm

Delivery

Item	Pc.	Description
1	2	Extension plates
2	8	Oval-head screws M 4 x 5

Order no.
245-000-70



Connecting kit

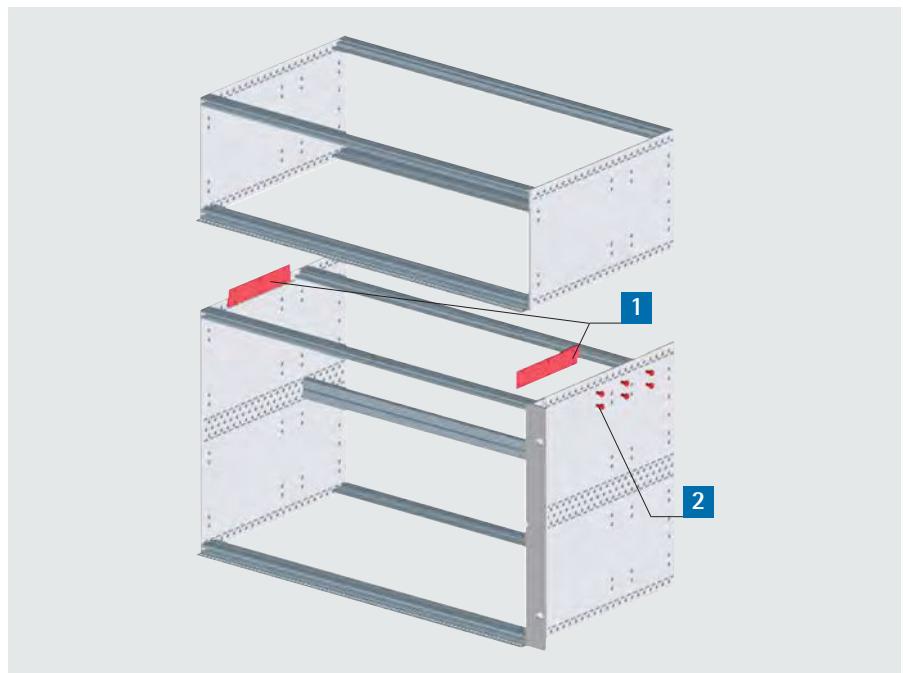
- for connecting individual subracks to a module subrack

Material:
aluminium 1,5 mm

Delivery

Item	Pc.	Description
1	2	Connecting plates
2	12	Oval-head screws M 3 x 6

Order no.
245-000-80

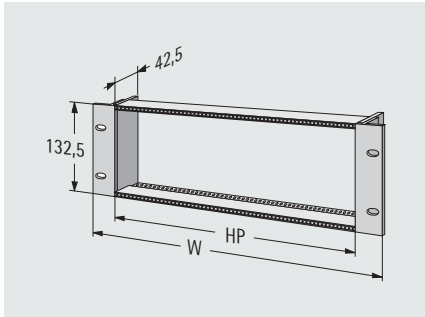


Other accessory parts

Additional components and parts i.e. ETSI adapters or 23" adapters and other parts can be supplied. Please ask us for further information and specifications - we will be glad to design your customised product.



Frame, 3 U



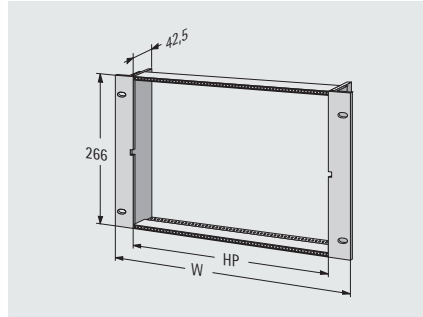
- single row with 2 threaded inserts

Delivery

Item	Pc.	Description
1	2	Front bracket
2	2	Module rails, chromated
3	2	Side pieces
4	2	Threaded inserts
5		Assembly material

HP	W mm	Order no.
84	482,60	242-901
42	269,40	242-911

Frame, 6 U

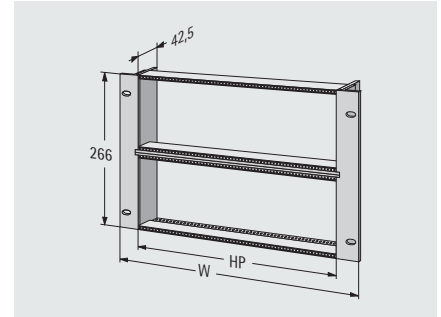


- with 2 threaded inserts

Delivery

Item	Pc.	Description
1	2	Front bracket
2	2	Module rails, chromated
3	2	Side pieces
4	2	Threaded inserts
5		Assembly material

HP	W mm	Order no.
84	482,60	242-903
42	269,40	242-913



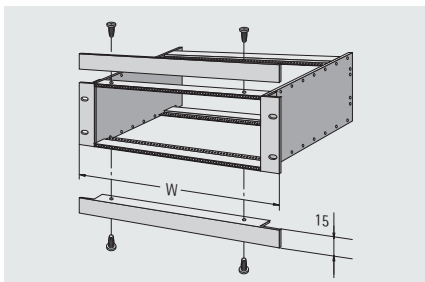
- double row with 4 threaded inserts

Delivery

Item	Pc.	Description
1	2	Front bracket
2	4	Module rails, chromated
3	2	Side pieces
4	4	Threaded inserts
5		Assembly material

HP	W mm	Order no.
84	482,60	242-902
42	269,40	242-912

Cover bracket



- for subracks in control panels, bracket 15 x 15 x 2 mm
- bracket overlap the cut-out in a control panel

Delivery: unmounted

For the installation of the mounting brackets, additional M3 threads need to be added in the front module rails. The module rail 241-113 (84 HP) can be used alternatively.

Delivery

Item	Pc.	Description
1	1	Bracket
2	2	Countersunk screw M 3 x 8

HP	W mm	Order no.
84	482,60	240-111
42	269,40	240-112