



247 • EMC compact sub-unit 3 U

EMC compact sub-unit, 3 U

- fits all desktop enclosures and subracks (except ruggedized subrack)
- EMC compliant design
- with side grooves for EMC contact springs
- rear plug-in connection for contact acc. to IEC 60603-2

Application:

for one PCB 100 x 160 mm

Material:

front panel: aluminium 2.5 mm

side section: aluminium extrusion

cover panel: aluminium 1.5 mm

handle: plastics with aluminium strip

Finish:

front panel:

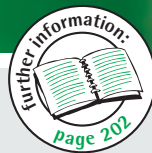
anodised front, conductive rear

side section: transparent chromated

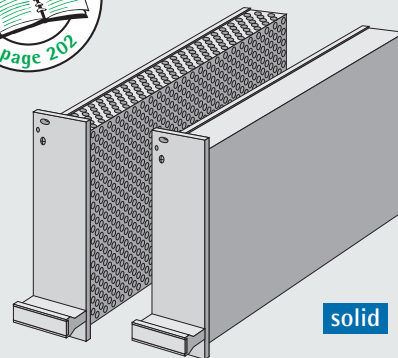
cover hood: transparent chromated

Delivery:

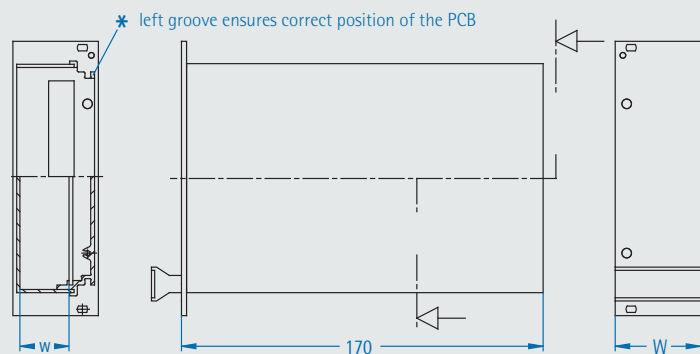
unmounted



perforated



solid



Rear view
(cross section)

Side view

Front view

See page 113 for matching contact springs.

Delivery

Item	Pc.	Description
1	1	Front panel with groove for EMC contact spring
2	1	Side extrusion
3	1	Cover
4	1	Handle, plastics
5		Assembly material

HP	W mm	w mm	Feature	Order no.
6	30,20	12,30	solid	247-921-55
8	40,30	22,50	solid	247-923-55
10	50,40	32,60	solid	247-925-55
6	30,20	12,30	perforated	247-931-55
8	40,30	22,50	perforated	247-933-55
10	50,40	32,60	perforated	247-935-55



EMC sub-unit 3 U / 6 U

- fits all desktop enclosures and subracks (except ruggedized subrack)
- EMC-compliant design
- with side grooves for EMC contact springs
- rear plug-in connection for contact acc. to DIN 41612
- all components are connected with each other conductively

Application:

for **one** PCB

3 U: 100 x 160 mm or 100 x 220 mm

6 U: 233.35 x 160 mm or 233.35 x 220 mm

with plug-in connector acc. to IEC 60603-2

Material:

front panel: aluminium 2.5 mm

side section: aluminium extrusion

rear panel: aluminium 1.5 mm

handle: plastics with aluminium strip

cover panels: aluminium 1.0 mm

Finish:

front panel:

anodised front, conductive rear

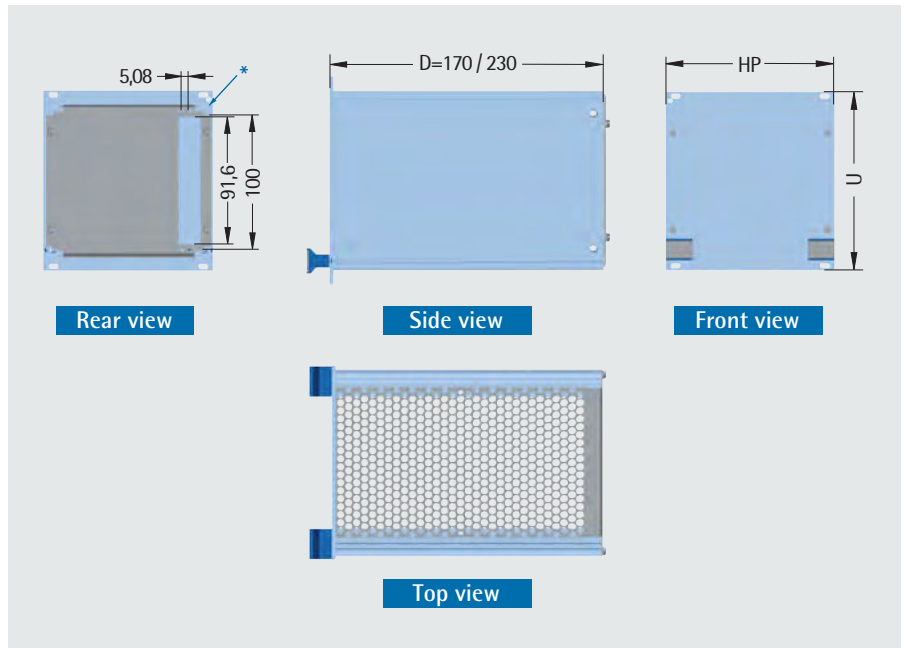
side section: transparent chromated

rear panel: transparent chromated

cover panels: transparent chromated

Delivery:

unmounted



* Left groove ensures that the PCB is in the correct position.

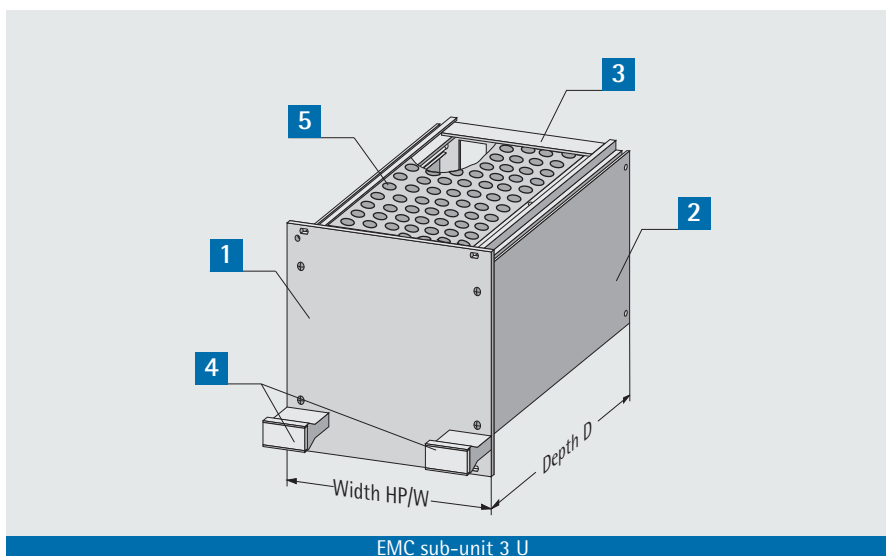


247 • EMC sub-unit 3 U / 6 U

Delivery

Item	Pc.	Description
1	1	Front panel with groove for EMC contact springs
2	2	Side extrusion
3	1	Rear panel
4	1/2	Handle**
5	2	Cover panels, perforated
6	1 set	Assembly material

** The handle is divided in units of 2 x 4 HP at 16 HP and bigger.



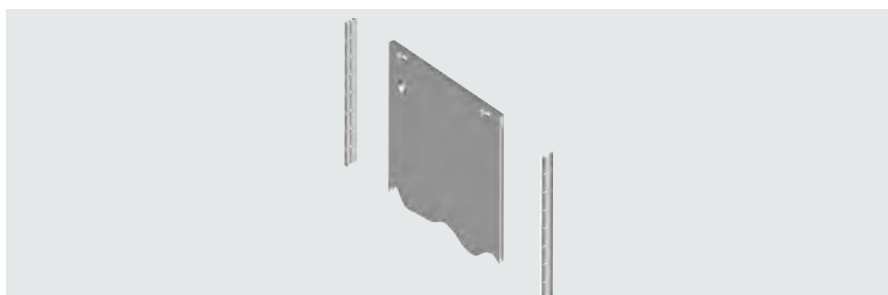
EMC sub-unit 3 U

U	D mm	HP	W mm	Order no.
3	170	12	60,60	247-062-55
		14	70,80	247-064-55
		21	106,30	247-071-55
		24	121,50	247-074-55
		28	142,00	247-078-55
	230	42	213,00	247-092-55
		12	60,60	247-162-55
		14	70,80	247-164-55
		21	106,30	247-171-55
		24	121,50	247-174-55
6	170	28	142,00	247-178-55
		42	213,00	247-192-55
		12	60,60	247-562-55
		14	70,80	247-564-55
		21	106,30	247-571-55
	230	24	121,50	247-574-55
		28	142,00	247-578-55
		42	213,00	247-592-55
		12	60,60	247-662-55
		14	70,80	247-664-55
230	21	106,30	247-671-55	
	24	121,50	247-674-55	
	28	142,00	247-678-55	
	42	213,00	247-692-55	

EMC contact springs

- fits in the side grooves in the sub-unit front panel

U	L mm	Order no.
3	97	671-184
6	232	671-185





Sub-unit 3 U

- with closed or open sides

Application:

for one PCB 100 x 160 mm or 100 x 220 mm with connector acc. to IEC 60603-2

Material:

front panel: aluminium 2.5 mm
side section: aluminium extrusion
rear panel: aluminium 1.5 mm
handle: plastics with aluminium strip

Finish:

front panel: anodised
side extrusion: anodised
rear panel: conductive

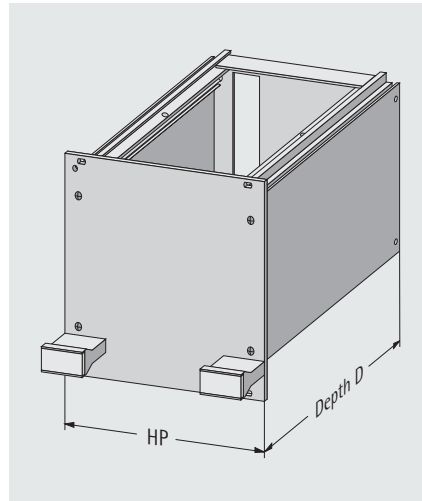
Delivery:

not assembled

Special sizes or customised cassettes and printing are available on request. Matching side panels as well as top or bottom panels can be found on page 143.

* The handle is divided in units of 2 x 4 HP at 16 HP or bigger

Sub-unit 3 U with closed sides

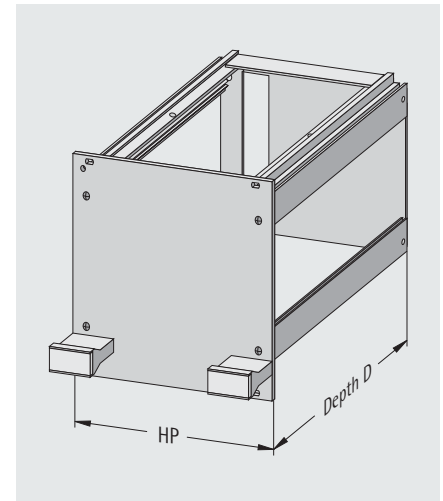


Delivery

Item	Pc.	Description
1	1	Front panel with plastic handle bar*
2	1	Rear panel
3	2	Aluminium extrusions
4		Assembly material

HP	D mm	Order no.
12	170	247-062
14		247-064
21		247-071
24		247-074
28		247-078
42		247-092
12	230	247-162
14		247-164
21		247-171
24		247-174
28		247-178
42		247-192

Sub-unit 3 U with open sides



Delivery

Item	Pc.	Description
1	1	Front panel with plastic handle bar*
2	1	Rear panel
3	4	Aluminium extrusions
4		Assembly material

HP	D mm	Order no.
12	170	247-262
14		247-264
21		247-271
24		247-274
28		247-278
42		247-292
12	230	247-362
14		247-364
21		247-371
24		247-374
28		247-378
42		247-392



247 • Sub-unit 6 U

Sub-unit 6 U

- with closed or open sides

Application:

for one PCB 233.35 x 160 mm or 233.35 x 220 mm with connector acc. to IEC 60603-2

Material:

front panel: aluminium 2.5 mm
side section: aluminium extrusion
rear panel: aluminium 1.5 mm
handle: plastics with aluminium strip

Finish:

front panel:
anodised front, conductive rear
side section: anodised
rear panel: conductive

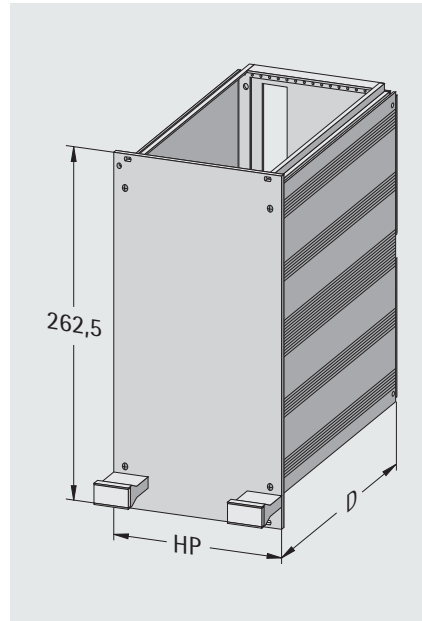
Delivery:

not assembled

Special sizes or customised cassettes and printing are available on request.

** The handle is divided in units of 2 x 4 HP at 16 HP and bigger.

Sub-unit 6 U with closed sides

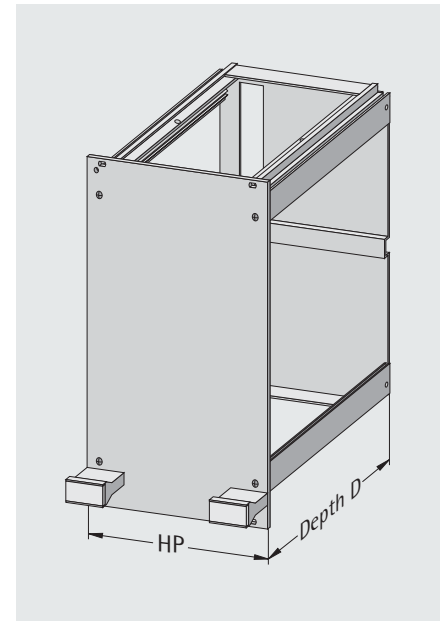


Delivery

Item	Pc.	Description
1	1	Front panel with plastic handle bar*
2	1	Rear panel
3	2	Aluminium extrusions
4		Assembly material

HP	D mm	Order no.
12	170	247-562-50
14		247-564-50
21		247-571-50
24		247-574-50
28		247-578-50
42		247-592-50
12	230	247-662-50
14		247-664-50
21		247-671-50
24		247-674-50
28		247-678-50
42		247-692-50

Sub-unit 6 U with open sides



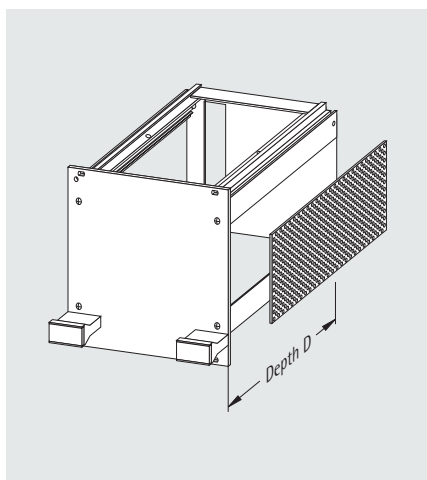
Delivery

Item	Pc.	Description
1	1	Front panel with plastic handle bar*
2	1	Rear panel
3	4	Aluminium extrusions
4		Assembly material

HP	D mm	Order no.
12	170	247-562
14		247-564
21		247-571
24		247-574
28		247-578
42		247-592
12	230	247-662
14		247-664
21		247-671
24		247-674
28		247-678
42		247-692



Side panel 3 U, perforated



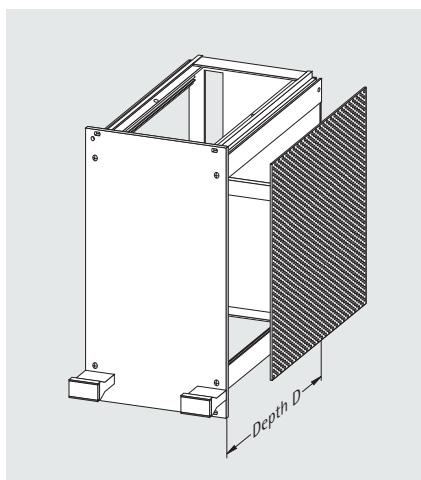
Material:
perforated aluminium panel 1.0 mm
Finish:
transparent chromated

Delivery

Item	Pc.	Description
1	1	Side panel

U	D mm	Order no.
3	170	248-402
3	230	248-502

Side panel 6 U, perforated



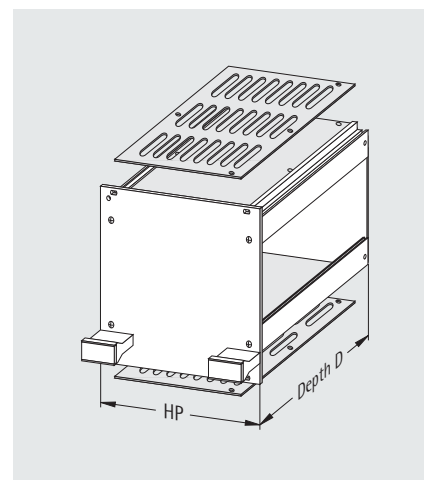
Material:
perforated aluminium panel 1.0 mm
Finish:
transparent chromated

Delivery

Item	Pc.	Description
1	1	Side panel

U	D mm	Order no.
6	170	248-394
6	230	248-494

Top or bottom panel



Material:
aluminium 1.5 mm
Finish:
transparent chromated

Delivery

Item	Pc.	Description
1	1	Top or bottom panel

HP	D mm	Feature	Order no.
12	170	closed	248-112-07
14	170		248-114-07
21	170		248-121-07
24	170		248-124-07
28	170		248-128-07
42	170		248-142-07
12	230		248-312-07
14	230		248-314-07
21	230		248-321-07
24	230		248-324-07
28	230		248-328-07
42	230		248-342-07
12	170	perforated	248-112-05
14	170		248-114-05
21	170		248-121-05
24	170		248-124-05
28	170		248-128-05
42	170		248-142-05
12	230		248-312-05
14	230		248-314-05
21	230		248-321-05
24	230		248-324-05
28	230		248-328-05
42	230		248-342-05



EMC cassette 3 U / 6 U

- fits all desktop enclosures and subracks (except ruggedized subrack)
- EMC compliant design
- with side grooves for EMC springs
- rear panel can hold several female connectors for internal wiring
- with 1 HP mounting grid for internal card guide

Application:

for several PCB's

3 U: 100 x 160 mm or 100 x 220 mm

6 U: 233.35 x 160 mm or 233.35 x 220 mm with connector acc. to IEC 60603-2

Material:

front panel: aluminium, 2.5 mm

side section: aluminium extrusion

rear panel: aluminium, 1.5 mm

handle: plastics with aluminium strip

cover panels: aluminium, 1.5 mm

Finish:

front panel:

anodised front, conductive rear

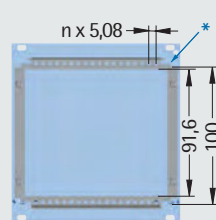
side section: transparent chromated

rear panel: transparent chromated

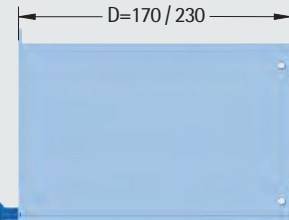
cover panels: transparent chromated

Delivery:

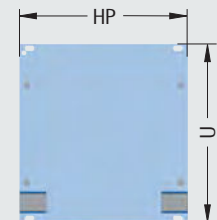
not assembled



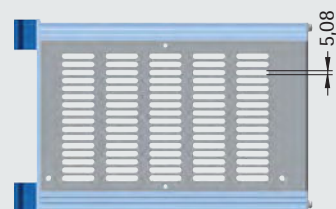
Rear view



Side view



Front view



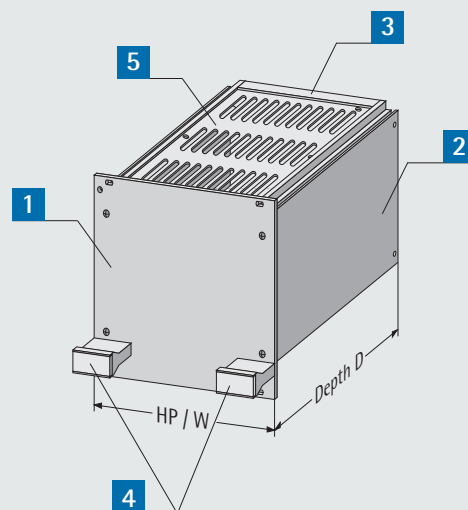
Top view

* Left groove ensures that the PCB is in the correct position.

** The handle is divided in units of 2 x 4 HP at 16 HP and bigger.

Delivery

Item	Pc.	Description
1	1	Front panel with groove for EMC contact springs
2	2	Side extrusion
3	1	Rear panel
4	1/2	Handle*
5	2	Cover panels, perforated
6	1 set	Assembly material

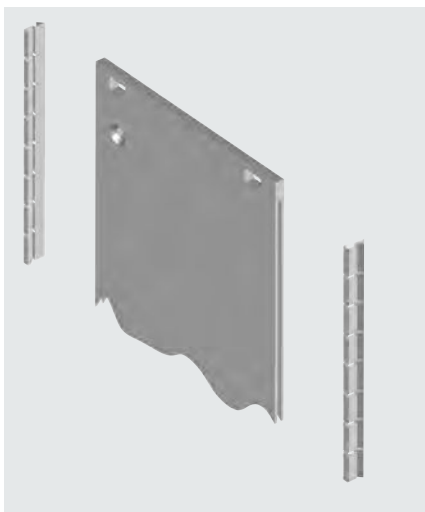


EMC cassette 3 U



U	D mm	HP	W mm	Order no.
3	170	12	60,60	248-062-55
		14	70,80	248-064-55
		21	106,30	248-071-55
		24	121,50	248-074-55
		28	142,00	248-078-55
		42	213,00	248-092-55
	230	12	60,60	248-162-55
		14	70,80	248-164-55
		21	106,30	248-171-55
		24	121,50	248-174-55
		28	142,00	248-178-55
		42	213,00	248-192-55
6	170	12	60,60	248-712-55
		14	70,80	248-714-55
		21	106,30	248-721-55
		24	121,50	248-724-55
		28	142,00	248-728-55
		42	213,00	248-742-55
	230	12	60,60	248-812-55
		14	70,80	248-814-55
		21	106,30	248-821-55
		24	121,50	248-824-55
		28	142,00	248-828-55
		42	213,00	248-842-55

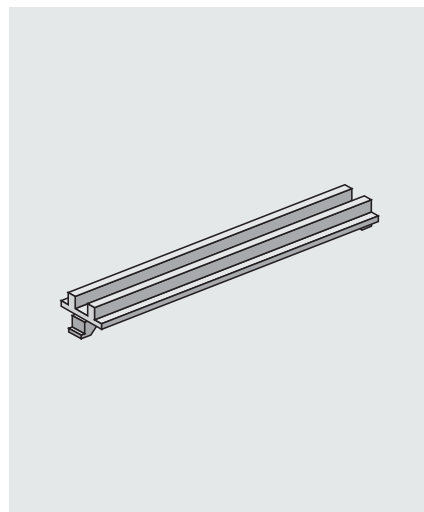
EMC contact spring



- fits in the side groove of the cassette front panel

U	L mm	Order no.
3	97	671-184
6	232	671-185

Internal card guide



- guides cards inside a cassette
- to clip on top/ bottom panel
- packing unit = 1 piece

Order no.
250-712



Cassette 3 U

- 2 models are available
 - with open sides
 - with divided front panel
- with 1 HP mounting grid for internal card guide

Material:

front panel: aluminium 2.5 mm
 side section: aluminium extrusion
 rear panel: aluminium 1.5 mm
 cover panels: aluminium 1.5 mm
 handle: plastics with aluminium strip

Finish:

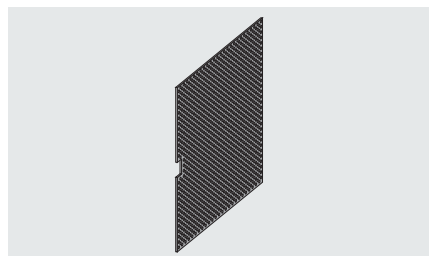
front panel: anodised front, conductive rear
 side section: anodised
 rear panel: transparent chromated
 cover panels: transparent chromated

Delivery: unmounted

Special sizes or customised cassettes and printing are available on request.

*The handle is divided in units of 2 x 4 HP at 16 HP or bigger

Side panel, perforated



Material:

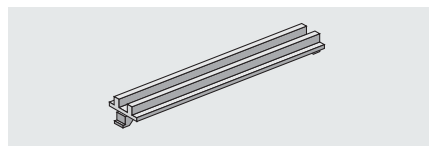
perforated aluminium panel 1.0 mm

Finish:

transparent chromated

U	D mm	Order no.
3	170	248-402
3	230	248-502

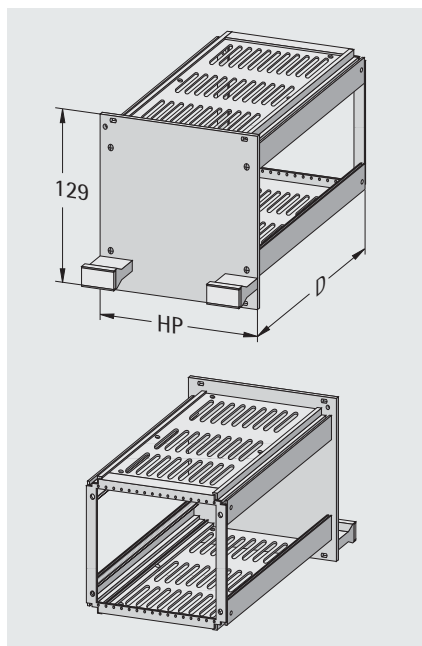
Internal card guide



- guides cards inside a cassette
- to clip on top/ bottom panel
- packing unit = 1 piece

Order no.
250-712

Cassette 3 U with open sides

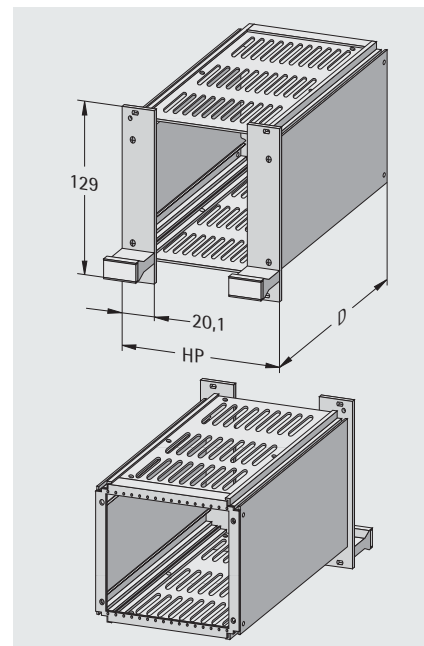


Delivery

Item	Pc.	Description
1	1	Front panel with plastic handle bar*
2	1	Rear panel
3	4	Aluminium extrusions
4	2	Top / bottom panel, perforated
5		Assembly material

HP	W mm	D mm	Order no.
12	60,60	170	248-462
14	70,80	170	248-464
21	106,30	170	248-471
24	121,50	170	248-474
28	142,00	170	248-478
42	213,00	170	248-482
12	60,60	230	248-562
14	70,80	230	248-564
21	106,30	230	248-571
24	121,50	230	248-574
28	142,00	230	248-578
42	213,00	230	248-592

Cassette 3 U with divided front panel



Delivery

Item	Pc.	Description
1	2	Front panel with plastic handle bar*
2	1	Rear panel
3	2	Aluminium extrusions
4	2	Top / bottom panel, perforated
5		Assembly material

HP	W mm	D mm	Order no.
12	60,60	170	248-262
14	70,80	170	248-264
21	106,30	170	248-271
24	121,50	170	248-274
28	142,00	170	248-278
42	213,00	170	248-292
12	60,60	230	248-362
14	70,80	230	248-364
21	106,30	230	248-371
24	121,50	230	248-374
28	142,00	230	248-378
42	213,00	230	248-382



Cassette 6 U

- 2 models are available
 - with open sides
 - with closed sides
- with 1 HP mounting grid for internal card guide

Material:

front panel: aluminium 2.5 mm
 side section: aluminium extrusion
 rear panel : aluminium 1.5 mm
 cover panels: aluminium 1.5 mm

Finish:

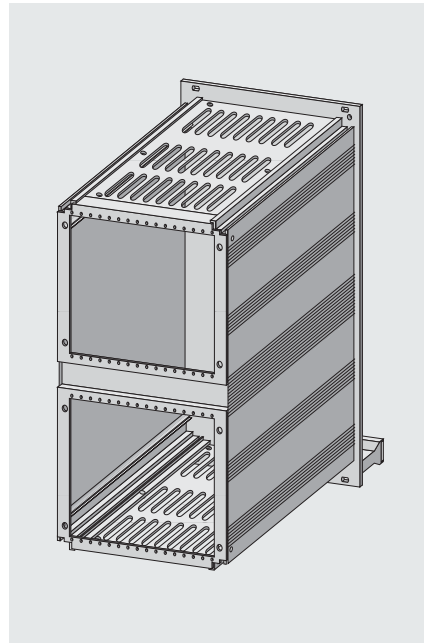
front panel:
 anodised front, conductive rear
 side section: anodised
 rear panel: transparent chromated
 cover panels: transparent chromated

Delivery: not assembled

Special sizes or customised cassettes and printing are available on request.

* The handle is divided in units of 2 x 4 HP at 16 HP or bigger

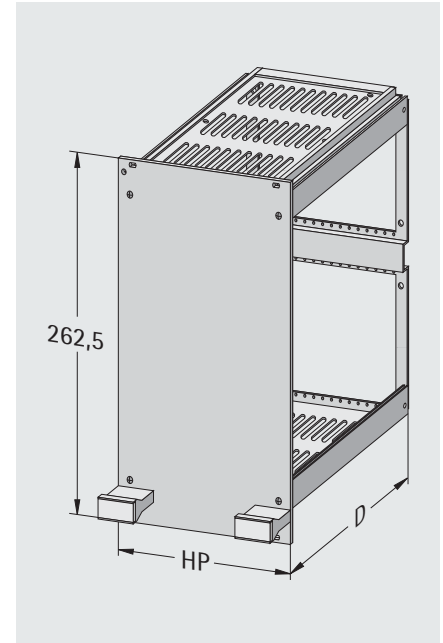
Cassette 6 U with closed sides



Delivery

Item	Pc.	Description
1	1	Front panel with plastic handle bar*
2	1	Rear panel
3	2	Aluminium extrusions
4	2	Top / bottom panel, perforated
5		Assembly material

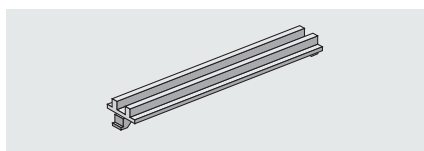
Cassette 6 U with open sides



Delivery

Item	Pc.	Description
1	1	Front panel with plastic handle bar*
2	1	Rear panel
3	4	Aluminium extrusions
4	2	Top / bottom panel, perforated
5		Assembly material

Internal card guide



- guides cards inside a cassette
- to clip on top/ bottom panel
- packing unit = 1 piece

Order no.
250-712

HP	W mm	D mm	Order no.
12	60,60	170	248-712-50
14	70,80	170	248-714-50
21	106,30	170	248-721-50
24	121,50	170	248-724-50
28	142,00	170	248-728-50
42	213,00	170	248-742-50
12	60,60	230	248-812-50
14	70,80	230	248-814-50
21	106,30	230	248-821-50
24	121,50	230	248-824-50
28	142,00	230	248-828-50
42	213,00	230	248-842-50

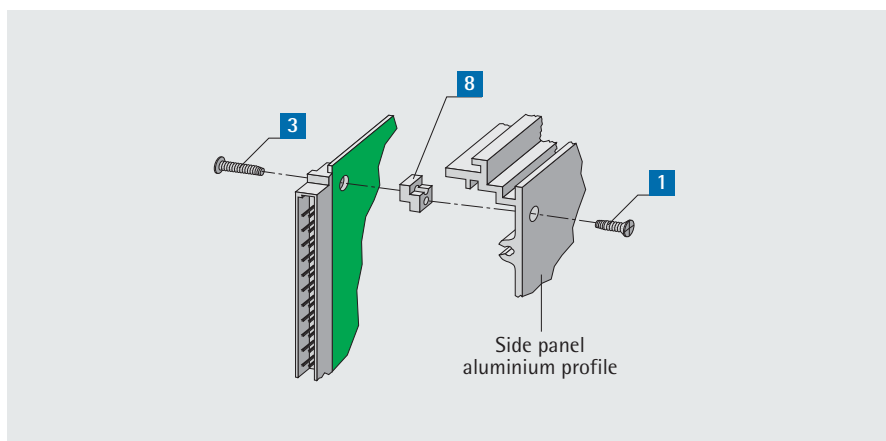
HP	W mm	D mm	Order no.
12	60,60	170	248-712
14	70,80	170	248-714
21	106,30	170	248-721
24	121,50	170	248-724
28	142,00	170	248-728
42	213,00	170	248-742
12	60,60	230	248-812
14	70,80	230	248-814
21	106,30	230	248-821
24	121,50	230	248-824
28	142,00	230	248-828
42	213,00	230	248-842



Model A

PCB is attached to the side of the cassette

Assembly kit A	Order no.
includes: 2x Item 1 2x Item 3 2x Item 8	250-708

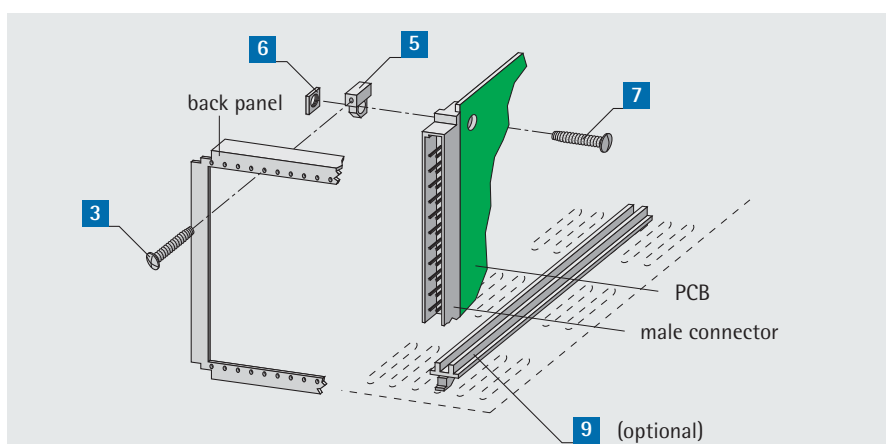


Model B

PCB is attached to the rear of the cassette

- external wiring

Assembly kit B	Order no.
includes: 2x Item 10 2x Item 5 2x Item 6 2x Item 7	250-709

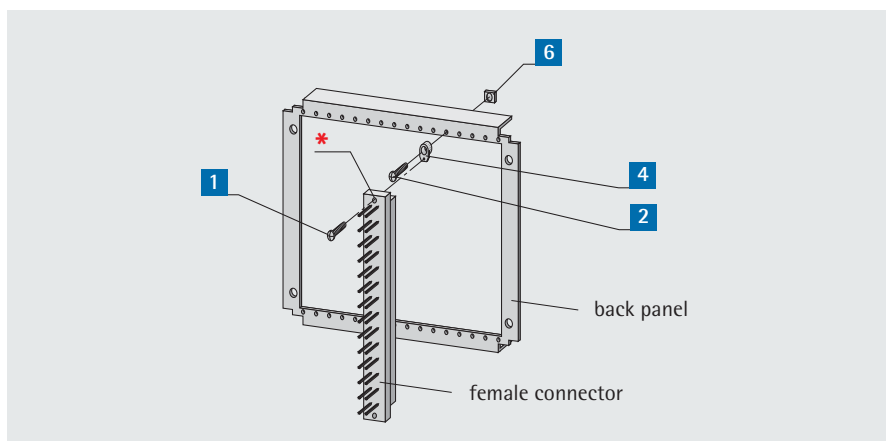


Model C

PCB is attached to the rear of the cassette

- internal wiring

Assembly kit C	Order no.
includes: 2x Item 1 2x Item 2 2x Item 4 2x Item 6	250-710



Item	Description	Order no.	Packing unit
1	Countersunk screw \varnothing 2,2 x 6,5	630-382	100 pieces
2	Countersunk screw M 2,5 x 8	630-127	100 pieces
3	Oval-head screw \varnothing 2,2 x 13	630-383	100 pieces
4	Female connector fixing 32-pole	250-710-01	1 piece
5	Male connector fixing 32-pole	250-709-01	1 piece
6	Square nut M 2,5	630-192	100 pieces
7	Oval-head screw M 2,5 x 16	630-080	100 pieces
8	Bracket	250-708-01	1 piece
9	Internal card guide	250-712	1 piece
10	Oval-head screw \varnothing 2,2 x 9,5	630-381	100 pieces

* Female connector must be counter-bored. Male connector holder fixes male connector with Eurocard in sub-unit and cassette.

Please take note of the quantity of the packing units when ordering individual items