



### 19" front panels

- without holes for handles
- fit all 19" cabinets and enclosures
- with standardised mounting holes

**Material:**

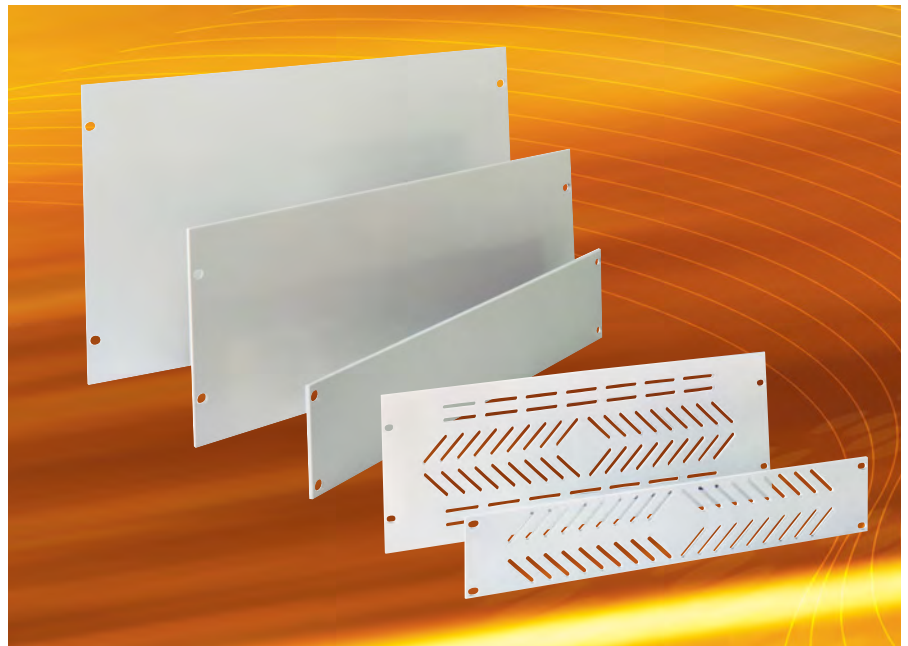
aluminium 2.5mm or 4mm (AlMg1)

**Finish:**

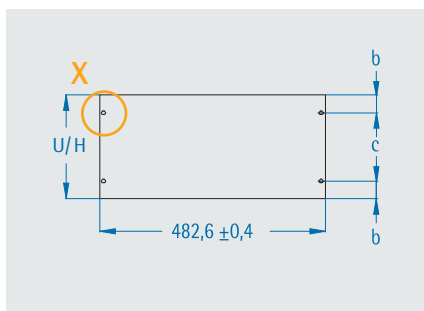
painted RAL 7035 light grey or natural colour anodised\*

**Standard:**

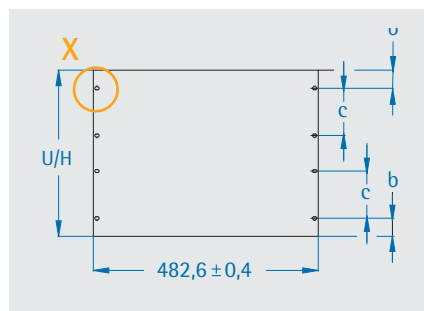
acc. to IEC 60297-3-100



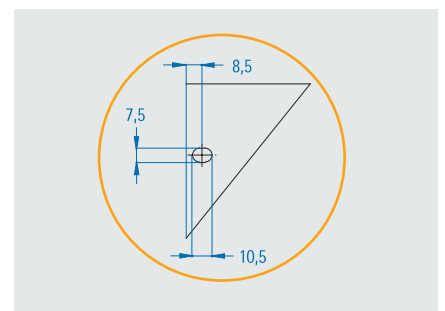
Customised blanking plates with printing, stamping and embossing available on request



Dimensions mounting height 1-6 U



Dimensions mounting height 7-9 U



Detail X

Material				AlMg1 - EQ; 2,5 mm	AlMg1 - EQ; 4 mm	
Edges				cut edges	cut edges	milled edges
Finish				natural colour anodised*	painted RAL 7035 light grey	natural colour anodised*
Installation height U	Installation height H mm	b mm	c mm	Order no.	Order no.	Order no.
1	44	5,90	32,2	-	200-021-20	200-201
2	88	5,90	76,2	200-122	200-022-20	200-202
3	132,5	37,75	57	200-123	200-023-20	200-203
4	177	37,75	101,5	200-124	200-024-20	200-204
5	221,5	37,75	146	200-125	200-025-20	200-205
6	266	37,75	190,5	200-126	200-026-20	200-206
7	310,5	37,75	88,9	-	200-027-20	200-207
8	354,5	37,75	101,6	-	200-028-20	200-208
9	399	37,75	101,6	-	200-029-20	200-209

\* Due to the material used, anodised front panels may be slightly different in colour. This variation is permitted within existing resource standards. Fissures at the anodised coating may occur.



### 19" ventilating front panels

**Material:**

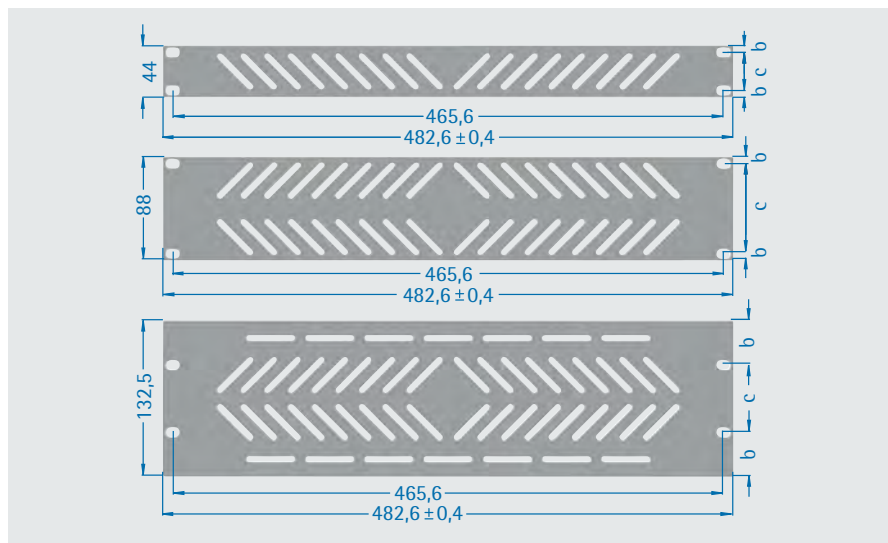
aluminium 2.5mm or 4mm (AlMg 1)

**Finish:**

natural colour anodised\*

**Standard**

acc. to IEC 60297-3-100



Installation height U	b mm	c	Material	Order no.
1	5,90	32,20	aluminium 2,5 mm	200-141
2	5,90	76,20		200-142
3	37,75	57,00		200-143
1	5,90	32,20	aluminium 4 mm	200-151
2	37,75	76,20		200-152
3	37,75	57,00		200-153

Customised hole patterns on request!

\* Due to the material used, anodised front panels may be slightly different in colour. This variation is permitted within existing resource standards. Fissures at the anodised coating may occur.

### 19" blindpanel 1 U

- air separation function: cost-saving and very effective option for reducing energy costs in data centres
- visual upgrade of the rack by concealing free 19" surfaces
- stylish design due to rounded front surface of the panel
- short assembly time: the blind panel is easily clipped into the 19" grid without tools
- can be removed and reinserted at any time without wear and tear and without tools
- protection against dust entry
- fire protection classification to UL94 V-0
- weight-saving in comparison to traditional metal panels

**Material:**

Lexan 920, listed acc. to UL 94 V-0, RoHS-conform

**Finish:**

RAL 7016 anthracite grey or RAL 7035 light grey

**Delivery:**

set = 10 pieces  
set = 136 pieces



Colour	Delivery	Order no.
RAL 7016	Set = 10 pieces	213-156-25
RAL 7035		213-156-30
RAL 7016	Set = 136 pieces	213-156-40
RAL 7035		213-156-45