



**19" universal plug-in unit**

- suitable for telescoping rails
- multiple dimensions
- can be customised to your needs
- sturdy construction
- variable construction due to perforated grind in side panels
- 19" installation dimensions acc. to IEC 60297-3-100
- standard versions or customised versions available
- IP 20
- max. load capacity on sliding rails: 50 kg

**Application:**

all-purpose, sturdy plug-in unit

**Material:**

front panel: aluminium 4 mm

side panel/chassis: sheet steel 1.5 mm

cover panel: sheet steel 1,0 mm

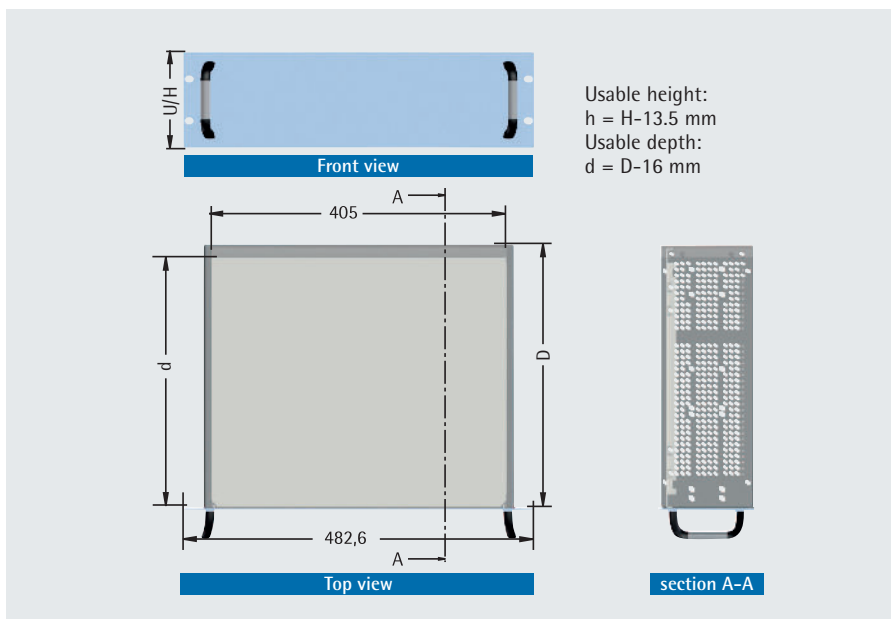
**Finish:**

front panel: RAL 7035 light grey

enclosure parts: galvanised

**Delivery:**

not assembled



**Delivery**

Item	Pc.	Description
1	1	Front panel, 4mm
2	2	Handles
3	2	Side panel
4	1	Rear panel
5	1	Chassis plate
6	1	Top panel, not ventilated
		Assembly material

Installation height H mm	Installation height U	D mm	Order no.
88	2	260	205-526-20
		360	205-536-20
		460	205-546-20
132	3	260	205-526-30
		360	205-536-30
		460	205-546-30
177	4	260	205-526-40
		360	205-536-40
		460	205-546-40
222	5	260	205-526-50
		360	205-536-50
		460	205-546-50
266	6	260	205-526-60
		360	205-536-60
		460	205-546-60



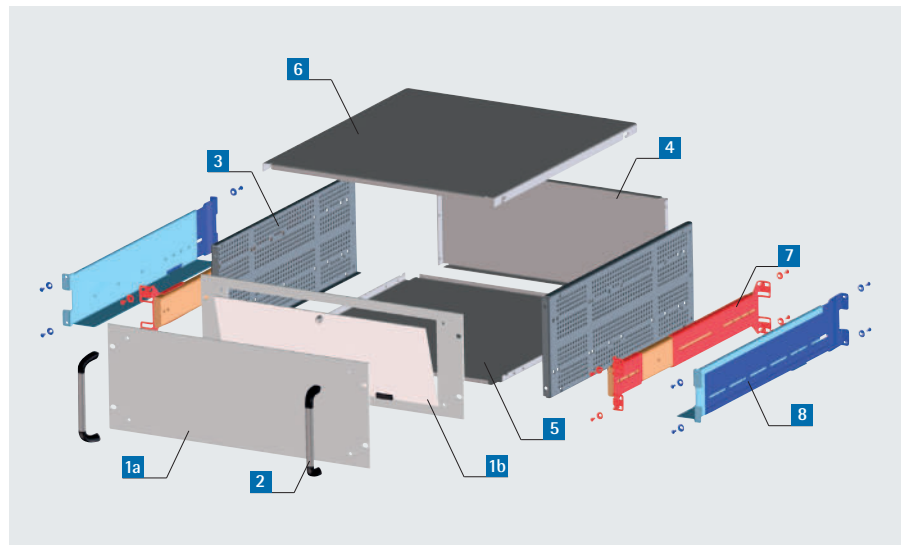
# 205 • 19" universal plug-in unit

## Components

Design your own customised universal plug-in unit.

### Available components

Item	Description
1a	Front panel
1b	Front panel, hinged
2	Handles
3	Side panel
4	Rear panel
5	Bottom cover
6	Top cover
7	Telescopic rail set
8	Set of sliding rails, depth-adjustable



### 1a Front panel

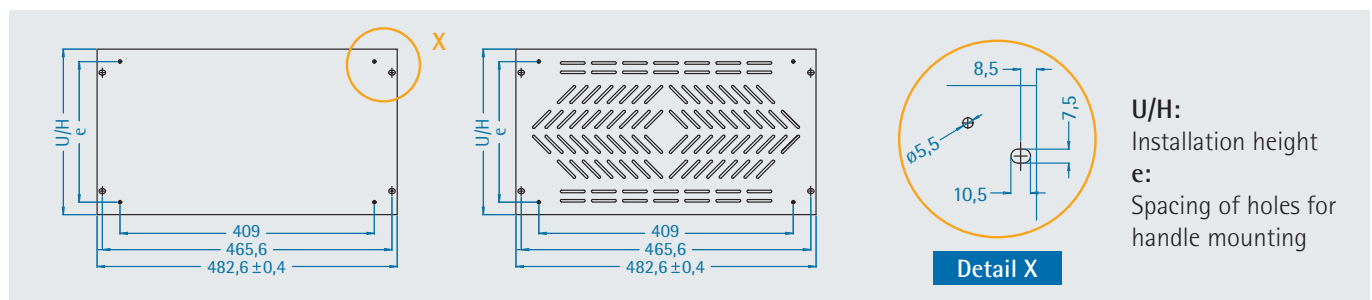
- with standardised mounting holes
- with holes for mounting handles and plug-in unit side walls
- customised front panels with printing, stamping and embossing available on request
- internet front panel service: [www.apra.de](http://www.apra.de)
- 19" installation dimensions acc. to IEC 60297-3-100

#### Material:

aluminium 2.5 mm resp. 4 mm (AlMg1)

**Finish:** RAL 7035 light grey, rear conductive

**Edges:** cut edges



Material			AlMg1 - EQ; 2,5 mm		AlMg1 - EQ; 4 mm
Ventilation			ventilated	not ventilated	not ventilated
Installation height U	Installation height H mm	Spacing of holes e mm	Order no.	Order no.	Order no.
2	88	72	205-002-52	205-002-42	205-000-42
3	132,5	92,5	205-002-53	205-002-43	205-000-43
4	177	137	205-002-54	205-002-44	205-000-44
5	221,5	181,5	205-002-55	205-002-45	205-000-45
6	266	226	205-002-56	205-002-46	205-000-46



### 1b Fold-up front panel

- with fastener
- with holes for handle mounting

**Material:**

frame: sheet steel 3.0 mm  
front panel: sheet steel 2.5 mm

**Finish:**

RAL 7035 light grey



Installation height U	Installation height H mm	Spacing of holes e	Order no.
3	132,5	92	205-002-73
4	177	137	205-002-74
5	221,5	182	205-002-75
6	266	226	205-002-76

#### apra handle



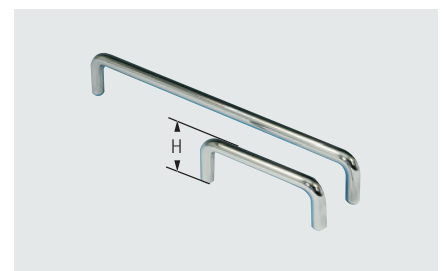
Height H = 40 mm

**Material:**

head parts: plastic, black  
middle part: aluminium extrusion, anodised

U	Spacing of holes e	Order no.
2	72 mm	611-302-00
3	92 mm	611-303-00
4	137 mm	611-304-00
5	182 mm	611-305-00
6	226 mm	611-306-00

#### Bow-type handle



Height H = 38 mm

**Material:**

steel, chrome plated

U	Spacing of holes e	Order no.
2	72 mm	610-002
3	92 mm	610-003
4	137 mm	610-004
5	182 mm	610-005
6	226 mm	610-006

#### Oval head screws M 5 x 12

- for apra handle and bow-type handle
- Set = 100 pieces

Front panel	Size	Order no.
d = 2,5 mm	M 5 x 12	630-097
d = 4 mm	M 5 x 16	630-098

#### Decorative washers

- for bow-type handle only
- Set = 100 pieces

chromated	black
610-092	610-094



### 3 Side panel

- with mounting grid for various assembly possibilities, for example chassis panel

**Material:**  
sheet steel 1.5 mm  
**Finish:**  
zinc-coated

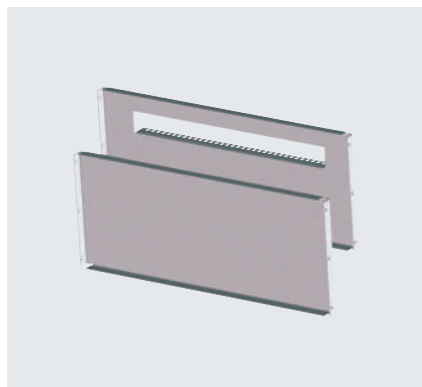


Install. height U	D mm	Order no.
2	260	205-526-22
3		205-526-32
4		205-526-42
5		205-526-52
6		205-526-62
2		360
3	205-536-32	
4	205-536-42	
5	205-536-52	
6	205-536-62	
2	460	
3		205-546-32
4		205-546-42
5		205-546-52
6		205-546-62
2		560
3	205-556-32	
4	205-556-42	
5	205-556-52	
6	205-556-62	

### 4 Rear panel

- can also be installed horizontally as a shelf
- available: closed or with cable clamping
- can be customised to your needs

**Material:**  
sheet steel 1.5 mm  
**Finish:**  
zinc-coated

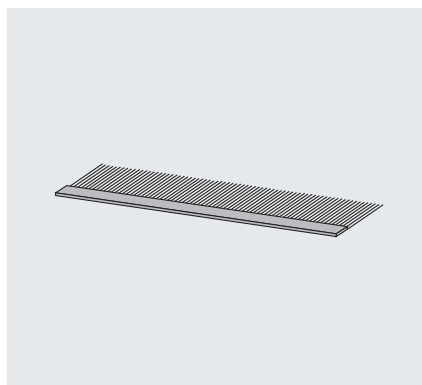


Install. height U	Feature	Order no.
2	closed	205-056-02
3		205-056-03
4		205-056-04
5		205-056-05
6		205-056-06
4		with cable clamping
6	205-056-16	

### Brush seal

- suitable for rear panel with cable clamping [4]

**Material:**  
PA 6, black



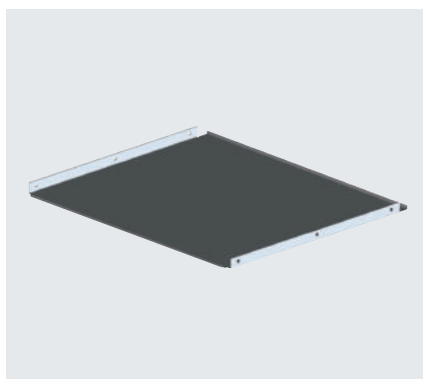
Order no.
671-040-10



### 5 Chassis plate

- can be installed at different heights
- can be customised to your needs
- assembly material included

**Material:**  
sheet steel 1.5 mm  
**Finish:**  
zinc-coated

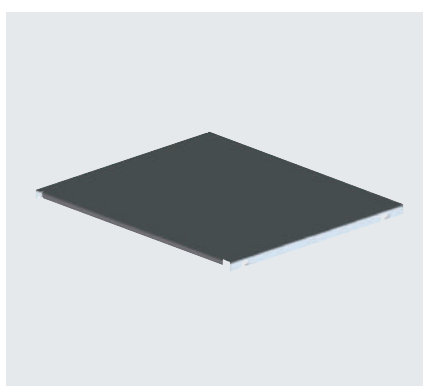


D mm	Feature	Order no.
260	ventilated	205-526-35
360		205-536-35
460		205-546-35
560		205-556-35
260	not ventilated	205-526-33
360		205-536-33
460		205-546-33
560		205-556-33

### 6 Cover plate

- ventilated/not ventilated

**Material:**  
sheet steel 1.0 mm  
**Finish:**  
zinc-coated



D mm	Feature	Order no.
260	ventilated	205-526-36
360		205-536-36
460		205-546-36
560		205-556-36
260	not ventilated	205-526-34
360		205-536-34
460		205-546-34
560		205-556-34

### Screw set "Uni 205"

- includes all screws necessary for assembling an entire universal plug-in unit

### Delivery

Pc.	Description
4	Oval-head screw M 5 x 12
4	Oval-head screw M 5 x 16
14	Oval-head screw M 4 x 8

Order no.
630-405

### 7 Telescopic rail set

- with aprafix assembly system
- high-quality telescopic rails
- ideal for installation in 600 to 800mm-deep cabinets with rear 19" mounting
- includes 2 telescopic rails and assembly material
- can be locked when pulled out
- detachable

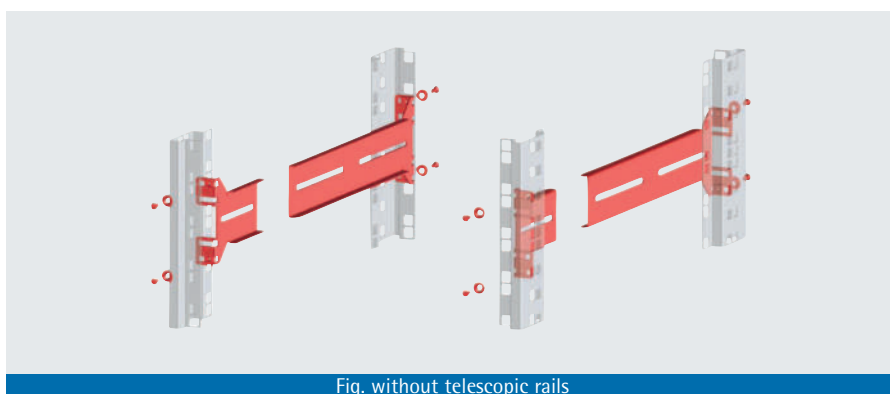


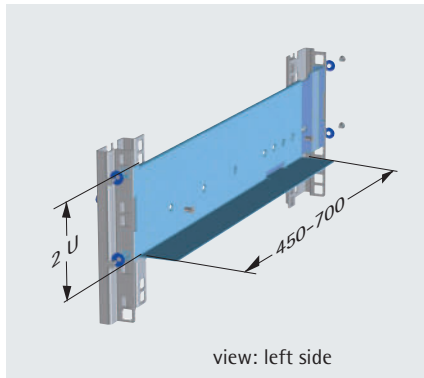
Fig. without telescopic rails

D mm	Description	Feature	Load capacity	Order no.
260	Type 0204	Partial extension (cost-effective)	51-59 kg	680-077-00
360	Type 0204			680-077-00
460	Type 0204			680-078-00
560	Type 0204			680-079-00
260	Type 3307	100% extension <b>(not suitable for 2 U 19" plug-in units)</b>	64-66 kg	680-075-00
360	Type 3307			680-075-00
460	Type 3307			680-075-00
560	Type 3307			680-076-00



## 205 • 19" universal plug-in unit

### 8 Sliding rail set, depth-adjustable



- with patented 19" assembly system aprafix
- ideal for installation in 600 mm to 800 mm deep cabinets
- including assembly material
- pulls out from 450 mm to 700 mm

**Material:**

sheet steel 1.5 mm

**Finish:**

zinc-coated

**Load capacity:**

60 kg

<b>Order no.</b>
205-200-00

### M5 screw set (50-fold)



- required for installing 19" components in cabinets or enclosures
- 50 screws, M5 x 12
- 50 captive nuts, M4-8
- 50 rosettes for screw M5, flattened

<b>Order no.</b>
630-991

### Front panel fixing (50-fold)



- no cage nuts required
- to mount lightweight 19" components such as dummy or front panels
- clamping range (front panel + grid): 4 – 6 mm
- consisting of:
  - 50 lens head screws M 5 x 12
  - 50 washers for screws M 5, flattened

<b>Order no.</b>
630-991-10