



19" flat module, 1-3 U

- EMC-compatible basic construction
- economic sheet metal design
- sturdy construction
- customised treatment possible
- design panels on request
- 19" installation dimensions acc. to IEC 60297-3-100
- 2 versions and 3 heights available

This 19" flat module features high rigidity, modularity, large internal dimensions as well as a cost-efficient sheet metal design. The modules may be versatilely used in the fields of telecommunication, networking, industry or audio and video. Its excellent EMC compatible basic construction allows for a reliable EMC shielding of more than 50 dB in the range of 40 to 900 MHz. Another important feature is the user-friendly easy to install locking top cover.

On request the flat modules may be retrofitted with design cover panels from metal, plastics or even from wood. Of course, individual machining like silk screening, digital printing, cut-outs, foil keypads, plexiglas inserts, etc. are possible.

Application:

universal use in tight spaces in telecommunications, network technology, broadcast and more

Material:

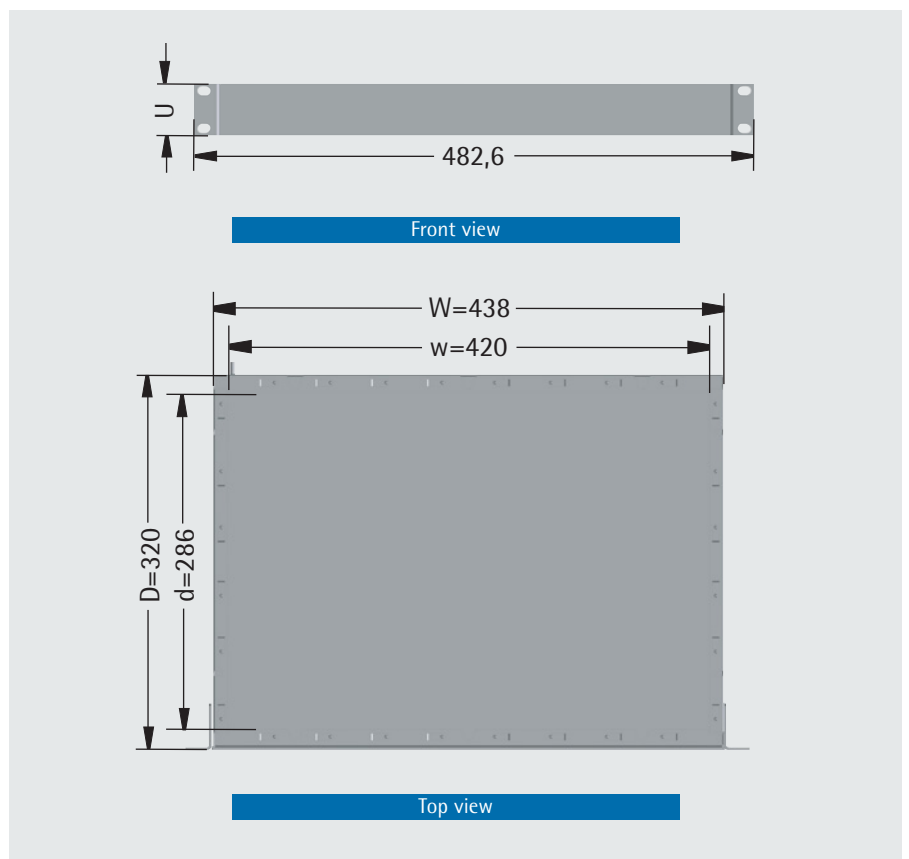
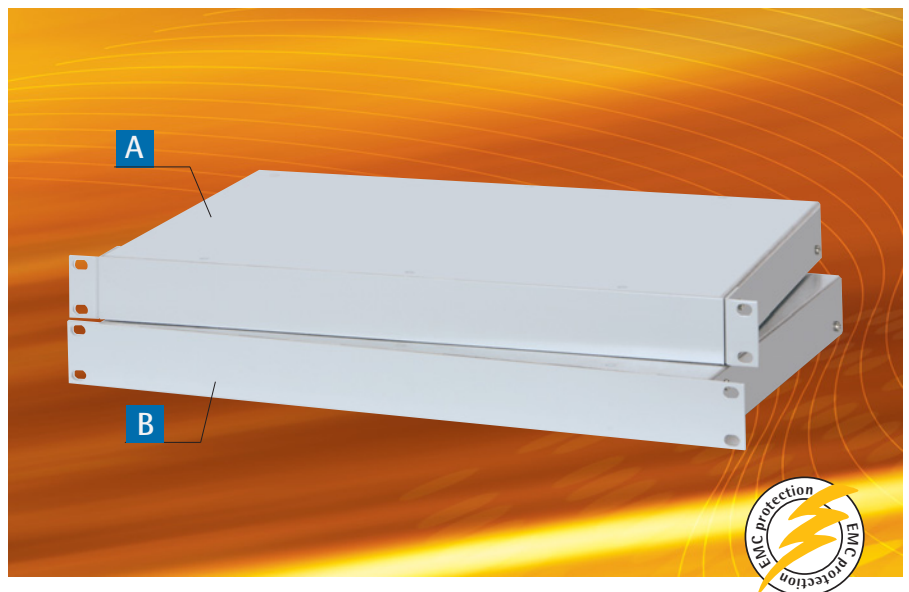
front panel: aluminium 3.0 mm
chassis/top panel: sheet steel 1.0 mm

Finish:

top panel/front panel/bracket (optional): RAL 7035 light grey
chassis: zinc-coated

Delivery:

not assembled



Delivery

Item	Pc.	Description
1	1	Enclosure chassis
2	1	Enclosure cover
3	1	Front panel
4	(2)	Front brackets (only type A)
5		Assembly material

U	D mm	Description	Order no.
1	320	Type A: with removable 19" front brackets	269-201-00
		Type B: with continuous 19" front panel	269-201-10
2		Type A: with removable 19" front brackets	269-202-00
		Type B: with continuous 19" front panel	269-202-10
3		Type A: with removable 19" front brackets	269-203-00
		Type B: with continuous 19" front panel	269-203-10

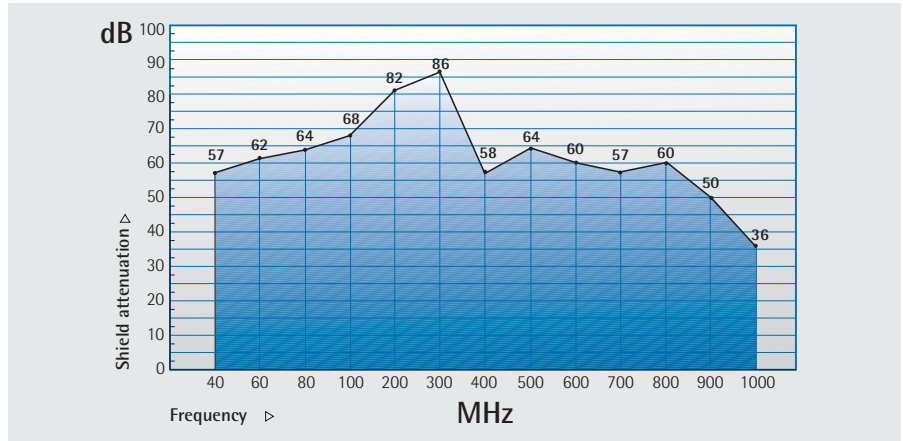


Shielding effectiveness

Average values, calculated from measurement results of an independent institution.

Testing specifications:

The shielding effectiveness of the empty plug-in unit was measured according to VG 95373 part 15 in a frequency range of 40 to 1000 MHz.



Customised 19" plug-in systems



19" flat modules 1 U

- for use as tuner or effects unit for music purposes