

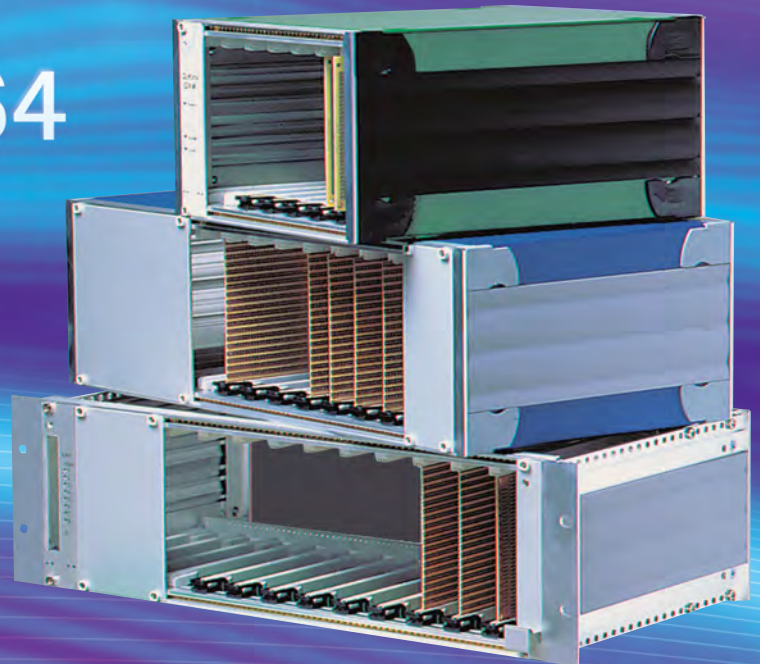


Variable in shape, colour and function!

profi set 264

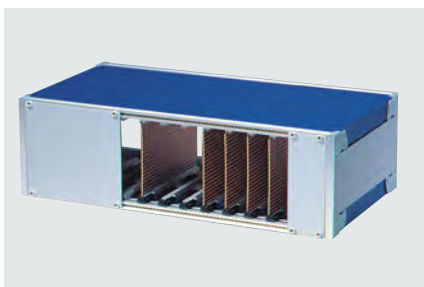


We configure your individual system solution like for ex. a 4 U enclosure with 3+1 U assembling and active ventilation!

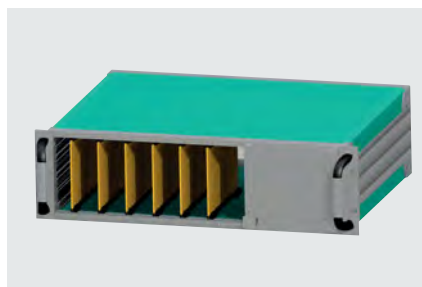


profi set 264 enclosure system

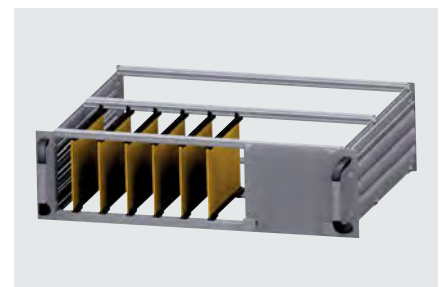
- universal enclosure system usable as
 - desktop enclosure
 - 19" plug-in unit
 - 19" subrack (on request)
- compact construction with maximum space at minimal exterior dimensions
- decorative side panels of aluminium-extruded profiles
- stackable
- easy detachable top and bottom panels in case of maintain intervention or electronic installation
- module rails with depth grids of 10 mm adjustable
- ventilated or closed type
- EMC version on request
- protection system IP 40/20
- installation dimensions acc. to IEC 60297-3-101
- exterior dimensions acc. to IEC 60297-3-100 (plug-in unit and subrack)



desktop enclosure profi-set 264



19" plug-in unit profi-set 264



19" subrack profi-set 264 (on request)



Desktop enclosure profi set 264

Application:

takes plug-in devices acc. to IEC 60297-3-101, PCB and individually composed electronic components

Finish:

top/ bottom shell:

RAL 7035 light grey

side panels:

RAL 7001 silver grey, inside chromated

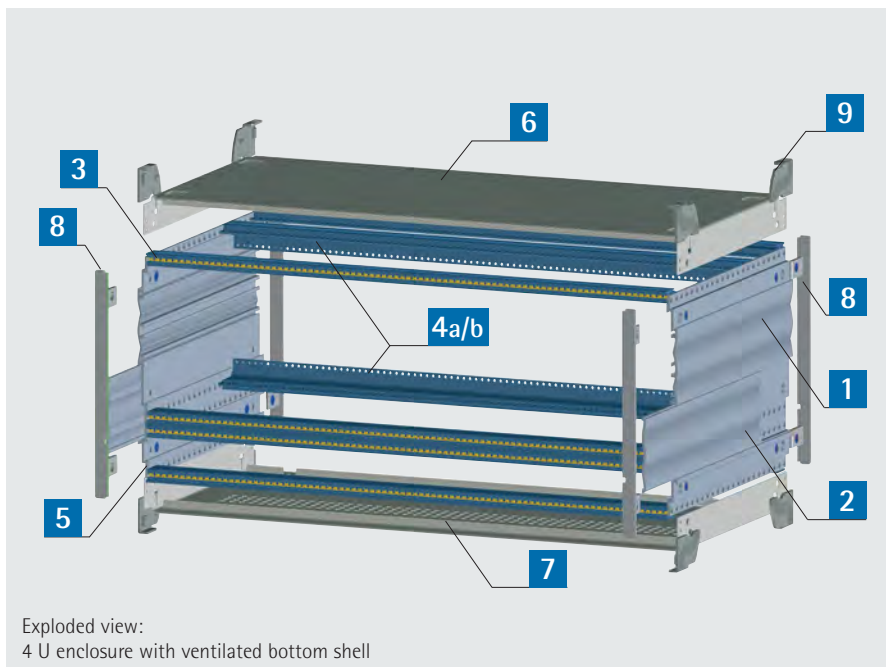
Degree of protection:

IP 40: closed type

IP 20: ventilated type

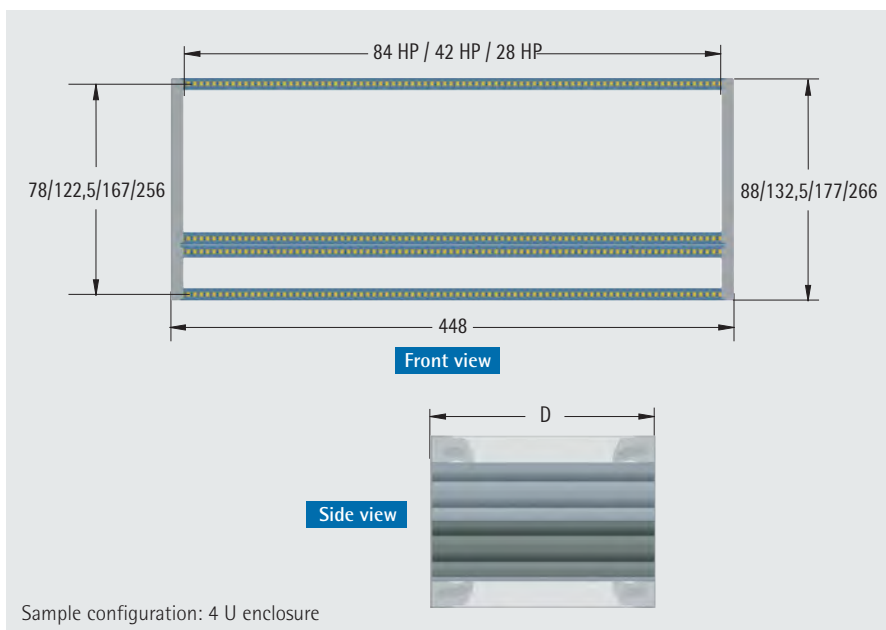
Delivery:

kit form, unmounted



Exploded view:
4 U enclosure with ventilated bottom shell

	Description	3 U	4 U	3 U BUS
1	Side panel	2	2	2
2	Cover panel	-	2	-
3	Module rail	4	6	4
4a	Module rail with integrated installation rail	2	2	-
4b	BUS module rail	-	-	2
5	Threaded strips	2	4	2+2
6	Top shell without ventilation	1	1	1
7	Bottom shell with or without ventilation	1	1	1
8	Cover bracket	4	4	4
9	Cover	8	8	8
10	Assembly material incl. 4 enclosure feet	1 Set	1 Set	1 Set



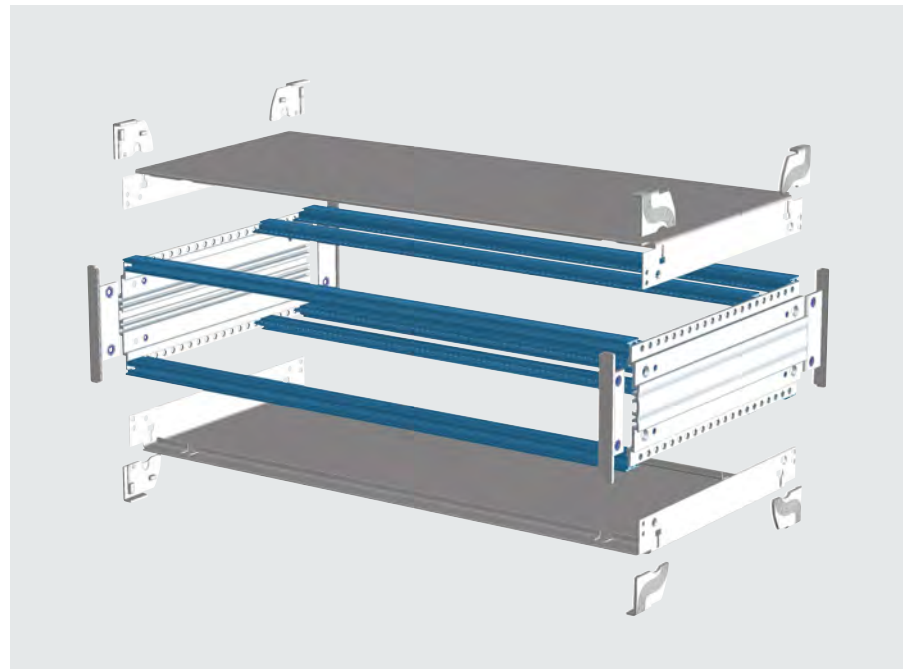
Sample configuration: 4 U enclosure



Desktop enclosure profi set 264 2 U

Delivery

Item	Pc.	Description
1	2	Side panel
2	4	Module rail
3	2	BUS module rail
4	2+2	Threaded strips
5	1	Top shell without ventilation
6	1	Bottom shell with or without ventilation
7	4	Cover bracket
8	8	Cover
9	1 Set	Assembly material incl. 4 enclosure feet



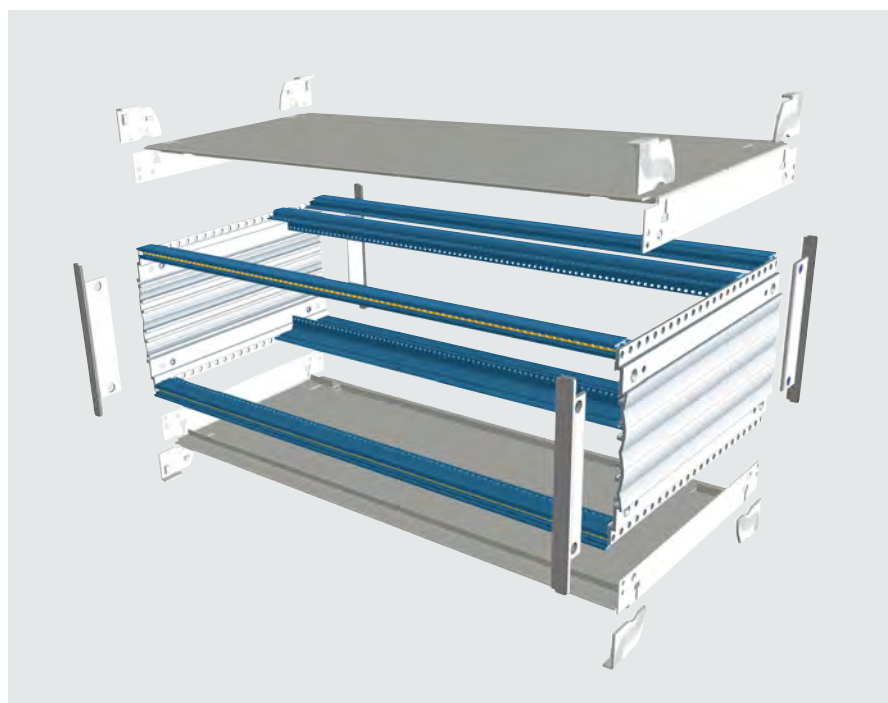
HP	D mm	Feature	Order no.
84	231	without ventilation	264-211-10
42			264-231-10
28			264-241-10
84		with ventilated bottom shell	264-211-20
42			264-231-20
28			264-241-20
84	271	without ventilation	264-212-10
42			264-232-10
28			264-242-10
84		with ventilated bottom shell	264-212-20
42			264-232-20
28			264-242-20
84	311	without ventilation	264-213-10
42			264-233-10
28			264-243-10
84		with ventilated bottom shell	264-213-20
42			264-233-20
28			264-243-20
84	351	without ventilation	264-214-10
42			264-234-10
28			264-244-10
84		with ventilated bottom shell	264-214-20
42			264-234-20
28			264-244-20



Desktop enclosure profi set 264 3 U

Delivery

Item	Pc.	Description
1	2	Side panel
2	4	Module rail
3	2	Module rail with integrated installation rail
4	2+2	Threaded strips M 2,5
5	1	Top shell without ventilation
6	1	Bottom shell with or without ventilation
7	4	Cover bracket
8	8	Cover
9	1 Set	Assembly material incl. 4 enclosure feet



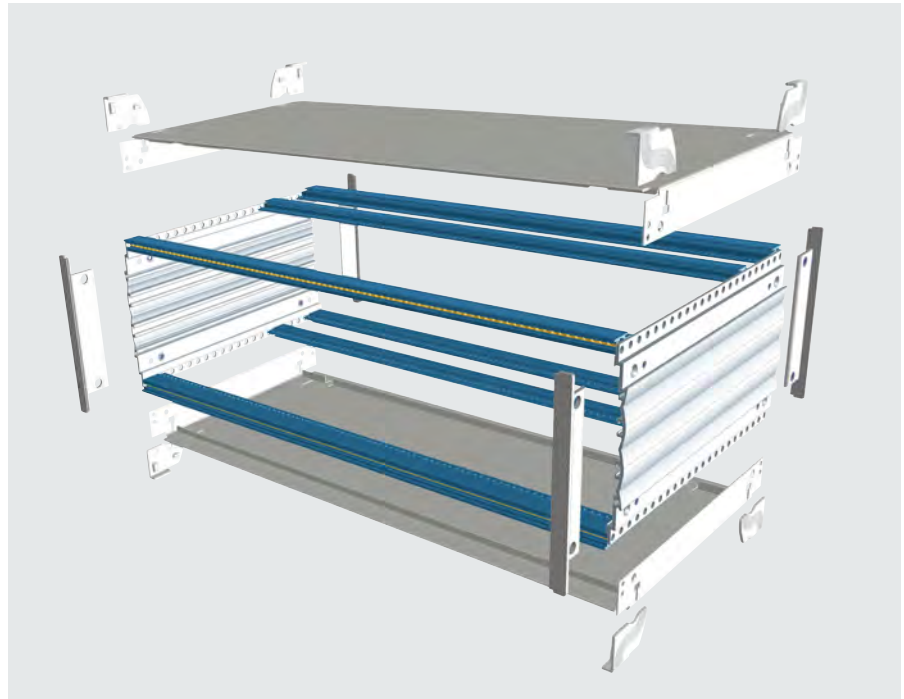
HP	D mm	Feature	Order no.
84	231	without ventilation	264-311-10
42			264-331-10
28			264-341-10
84		with ventilated bottom shell	264-311-20
42			264-331-20
28			264-341-20
84	271	without ventilation	264-312-10
42			264-332-10
28			264-342-10
84		with ventilated bottom shell	264-312-20
42			264-332-20
28			264-342-20
84	311	without ventilation	264-313-10
42			264-333-10
28			264-343-10
84		with ventilated bottom shell	264-313-20
42			264-333-20
28			264-343-20
84	351	without ventilation	264-314-10
42			264-334-10
84		with ventilated bottom shell	264-314-20
42			264-334-20



Desktop enclosure profi set 264
3 U BUS

Delivery

Item	Pc.	Description
1	2	Side panel
2	4	Module rail
3	2	BUS module rail
4	2+2	Threaded strips M 2,5
5	1	Top shell without ventilation
6	1	Bottom shell with or without ventilation
7	4	Cover bracket
8	8	Cover
9	1 Set	Assembly material incl. 4 enclosure feet



HP	D mm	Feature	Order no.
84	271	without ventilation	264-312-30
		with ventilated bottom shell	264-312-40
	351	without ventilation	264-314-30
		with ventilated bottom shell	264-314-40



Desktop enclosure profi set 264 4 U

Delivery

Item	Pc.	Description
1	2	Side panel
2	2	Cover panel
3	6	Module rail
4	2	Module rail with integrated installation rail
5	4	Threaded strips M 2,5
6	1	Top shell without ventilation
7	1	Bottom shell with or without ventilation
8	4	Cover bracket
9	8	Cover
10	1	Assembly material incl. 4 enclosure feet
	Set	



HP	D mm	Feature	Order no.
84	231	without ventilation	264-411-10
		with ventilated bottom shell	264-411-20
	271	without ventilation	264-412-10
		with ventilated bottom shell	264-412-20
	311	without ventilation	264-413-10
		with ventilated bottom shell	264-413-20
	351	without ventilation	264-414-10
		with ventilated bottom shell	264-414-20



Desktop enclosure profi set 264 6 U
double-row

Delivery

Item	Pc.	Description
1	4	Side panel
2	2	Cover panel
3	6	Module rail
4a	4	Module rail with integrated installation rail
5	4	Threaded strips M 2,5
6	1	Top shell without ventilation
7	1	Bottom shell with or without ventilation
8	4	Cover bracket
9	8	Cover
10	1 Set	Assembly material incl. 4 enclosure feet



HP	D mm	Feature	Order no.
84	231	without ventilation	264-611-10
		with ventilated bottom shell	264-611-20
	271	without ventilation	264-612-10
		with ventilated bottom shell	264-612-20
	311	without ventilation	264-613-10
		with ventilated bottom shell	264-613-20
	351	without ventilation	264-614-10
		with ventilated bottom shell	264-614-20



264 • profi set plug-in unit

19" plug-in unit profi set 264

Application:

takes plug-in modules acc. to IEC 60297-3-101, further PCB boards and customised electronic components.

Finish:

top/ bottom cover: RAL 7035 light grey
side panels: RAL 7001 silver grey,
chromated interior

Degree of protection:

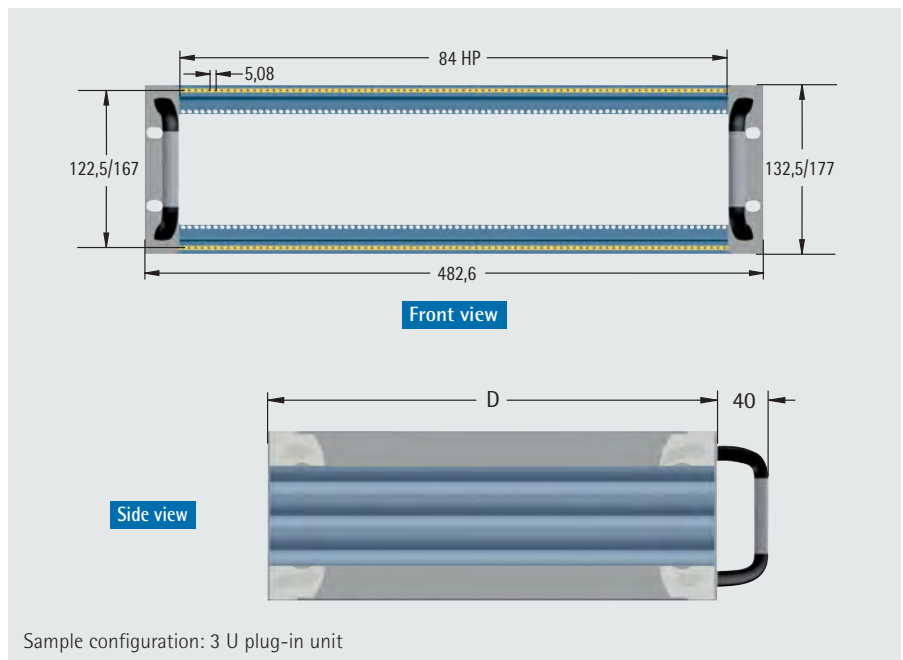
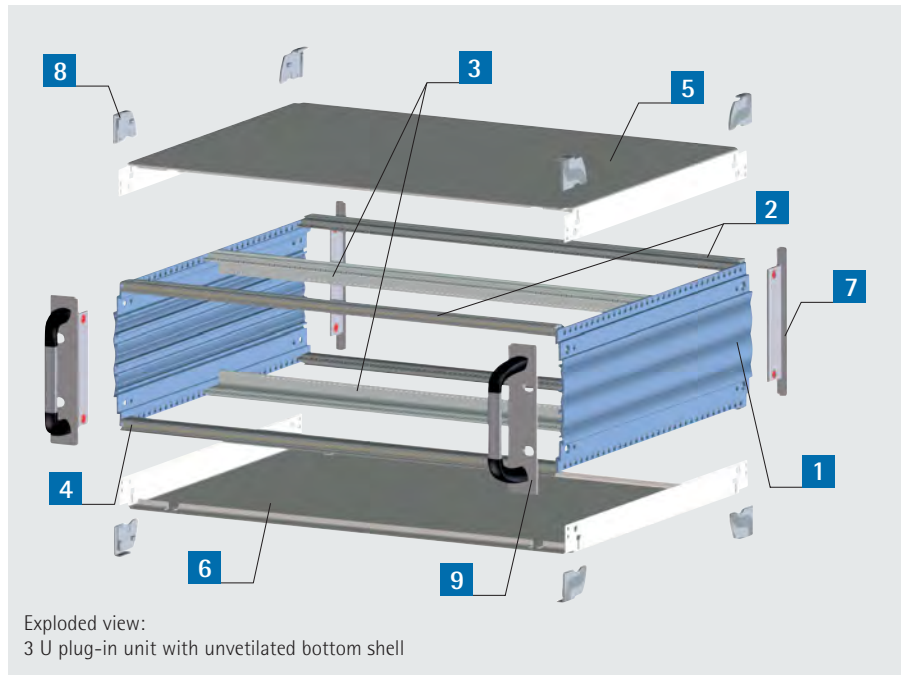
IP 40: not ventilated

IP 20: ventilated

Delivery:

kit, not assembled

Other dimensions (e.g. 63 HP) and individual colours available on request.

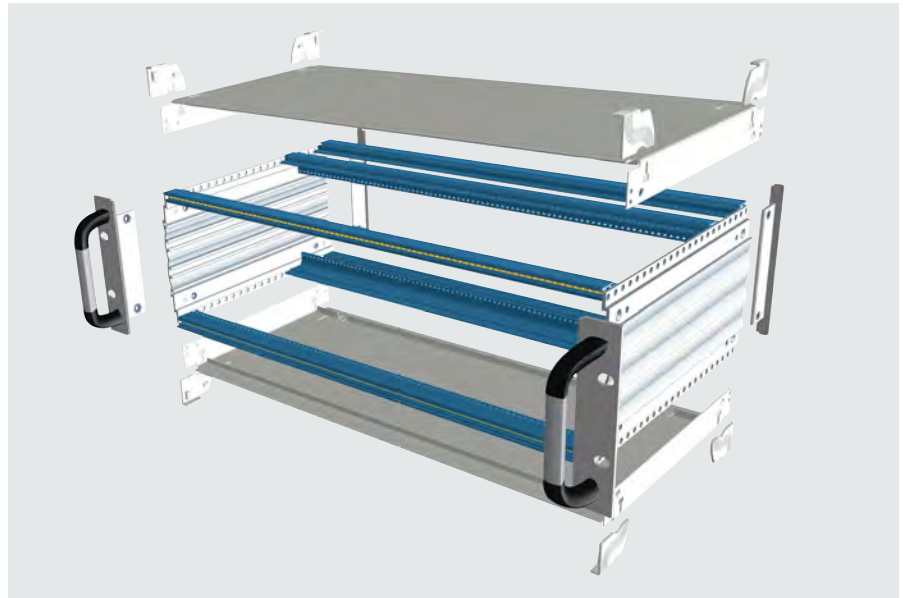




19" plug-in unit profi set 264 3 U

Delivery

Item	Pc.	Description
1	2	Side panel
2	4	Module rail
3	2	Module rail with integrated installation rail
4	2	Threaded strips M 2,5
5	1	Top shell without ventilation
6	1	Bottom shell with or without ventilation
7	2	Cover bracket
8	8	Cover
9	2	Front bracket with handle
10	1 Set	Assembly material incl. 4 enclosure feet

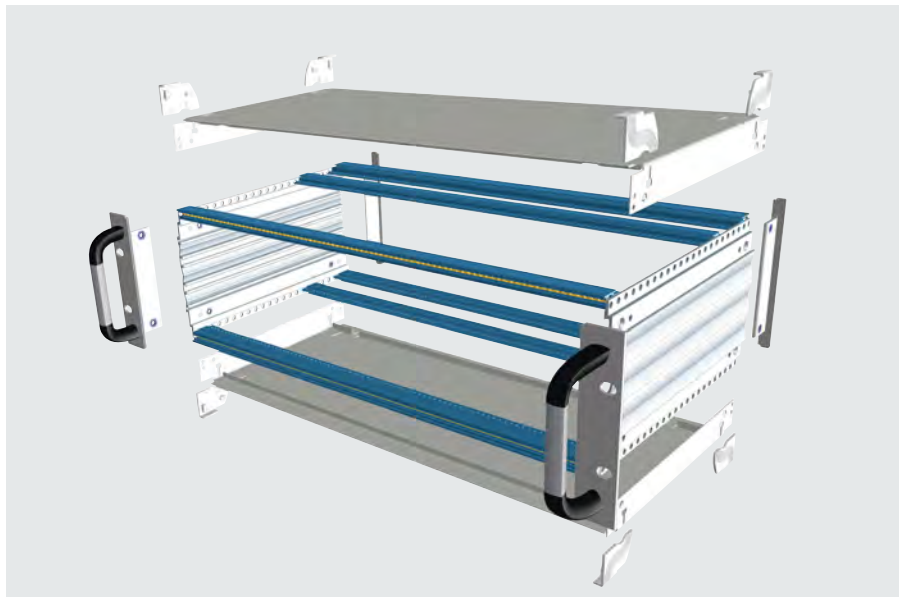


HP	D mm	Feature	Order no.
84	271	without ventilation	264-312-50
		with ventilated bottom shell	264-312-60
	351	without ventilation	264-314-50
		with ventilated bottom shell	264-314-60
	451	without ventilation	264-315-50
		with ventilated bottom shell	264-315-60

19" plug-in unit profi set 264 3 U BUS

Delivery

Item	Pc.	Description
1	2	Side panel
2	4	Module rail
3	2	BUS module rail
4	2+2	Threaded strips M 2,5
5	1	Top shell without ventilation
6	1	Bottom shell with or without ventilation
7	4	Cover bracket
8	8	Cover
9	2	Front bracket with handle
10	1 Set	Assembly material incl. 4 enclosure feet



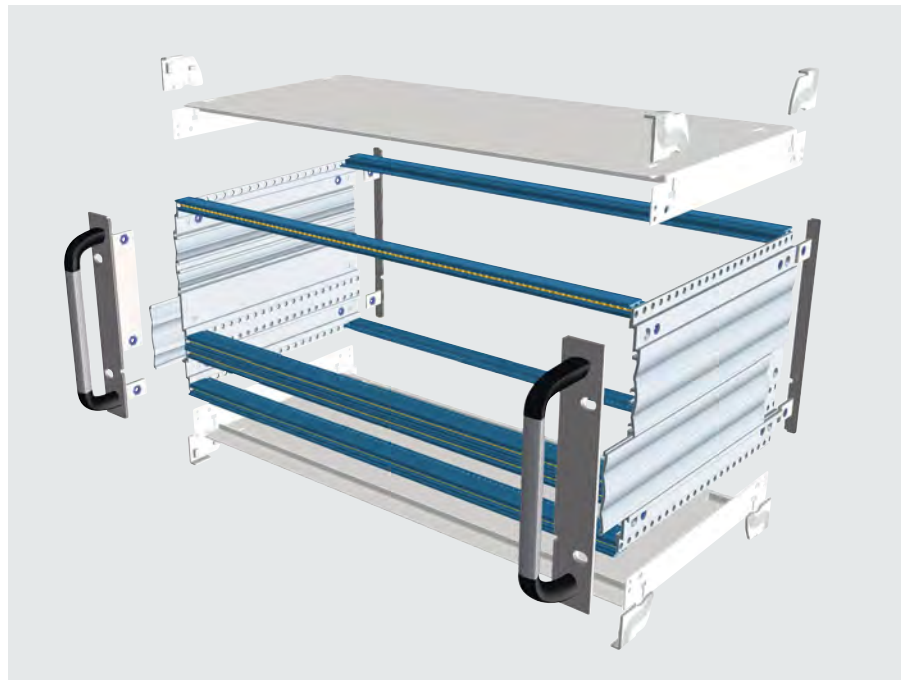
HP	D mm	Feature	Order no.
84	271	without ventilation	264-312-70
		with ventilated bottom shell	264-312-80
	351	without ventilation	264-314-70
		with ventilated bottom shell	264-314-80
	451	without ventilation	264-315-70
		with ventilated bottom shell	264-315-80



19" plug-in unit profi set 264 4 U

Delivery

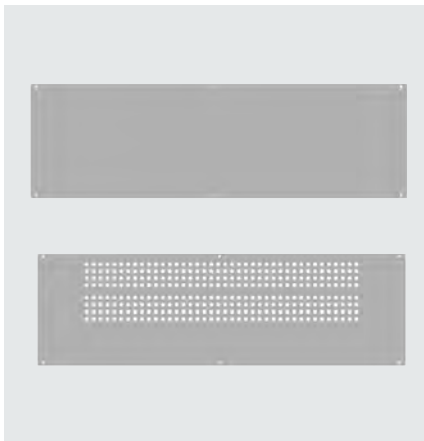
Item	Pc.	Description
1	2	Side panel
2	2	Cover panel
3	6	Module rail
4	2	Module rail with integrated installation rail
5	4	Threaded strips
6	1	Top shell without ventilation
7	1	Bottom shell with or without ventilation
8	4	Cover bracket
9		Cover
10	2	Front bracket with handle
11	1 Set	Assembly material incl. 4 enclosure feet



HP	D mm	Feature	Order no.
84	271	without ventilation	264-412-50
		with ventilated bottom shell	264-412-60
	351	without ventilation	264-414-50
		with ventilated bottom shell	264-414-60
	451	without ventilation	264-415-50
		with ventilated bottom shell	264-415-60



Rear panels



- incl. assembly material

Material:

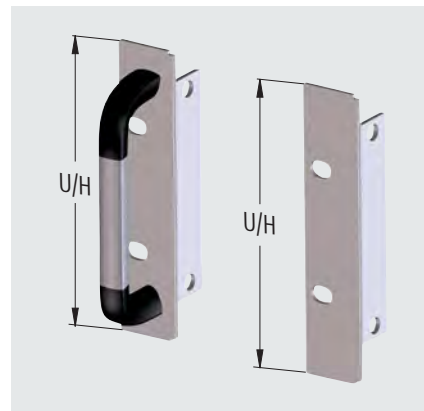
aluminium, interior chromated

Finish:

RAL 7035 light grey

HP	U	Feature	Order no.
84	2	without ventilation	264-084-42
42			264-042-42
28			264-028-42
84		ventilated	264-084-52
42			264-042-52
28			264-028-52
84	3	without ventilation	264-084-43
42			264-042-43
28			264-028-43
84		ventilated	264-084-53
42			264-042-53
28			264-028-53
84	4	without ventilation	264-084-44
42			264-042-44
28			264-028-44
84		ventilated	264-084-54
42			264-042-54
28			264-028-54
84	6	without ventilation	264-084-46
42			264-042-46
28			264-028-46
84		ventilated	264-084-56
42			264-042-56
28			264-028-56

19" front bracket with / without handle



- for expansion as 19" plug-in enclosure or subrack
- incl. assembly material
- packaging unit: 1 pair

Material:

front bracket: aluminium anodised

handle: plastics/aluminium anodised

Description	Order no.
2 U without handle	264-200-32
2 U with handle	264-200-42
3 U without handle	264-300-32
3 U with handle	264-300-42
4 U without handle	264-400-32
4 U with handle	264-400-42
6 U without handle	264-600-32
6 U with handle	264-600-42

Cover bracket with / without handle



- for the expansion as a desktop enclosure
- incl. assembly material
- packaging unit: 1 pair

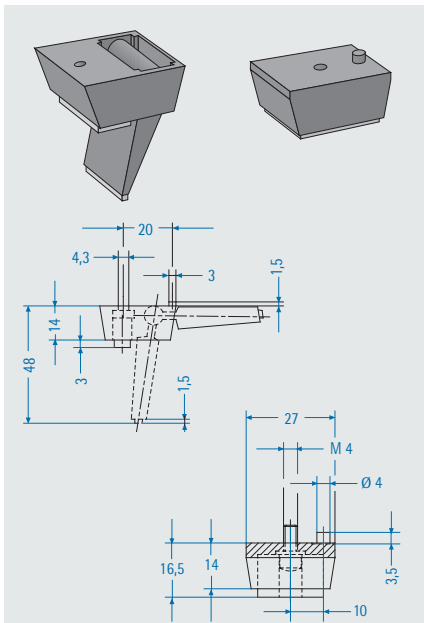
Material:

bracket and handle: aluminium anodised

Description	Order no.
2 U without handle	264-200-12
2 U with handle	264-200-22
3 U without handle	264-300-12
3 U with handle	264-300-22
4 U without handle	264-400-12
4 U with handle	264-400-22
6 U without handle	264-600-12
6 U with handle	264-600-22



Prop-up and base feet set



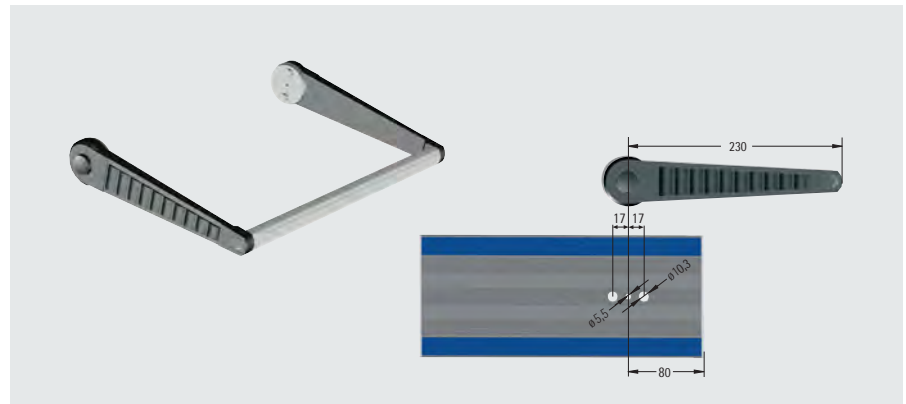
- corresponding bores need to be realised in the bottom shell
- set = 2 pairs

Delivery

Item	Pc.	Description
1	2	Prop-up feet
2	2	Rear base feet
3		Assembly material

Order no.
615-019

Prop-up and carrying handle



- can be used with following enclosures series: apraline, profi-set, Zenith, Tamago
- suitable for all 3 U and 4 U enclosures
- handle can be set 30° by pressing a button to snap it into place

Material:

handle extrusion: aluminium extrusion
metal handle, attachments, adapter: die-cast zinc

Finish:

handle extrusion: anodised
metal handle: RAL 9011 deep black
button, screw covers: plastics, black

Load capacity: 50 kg

Other finishes and widths available upon request.

For enclosure width	Order no.
42 HP	264-100-42
63 HP	264-100-63
84 HP	264-100-84

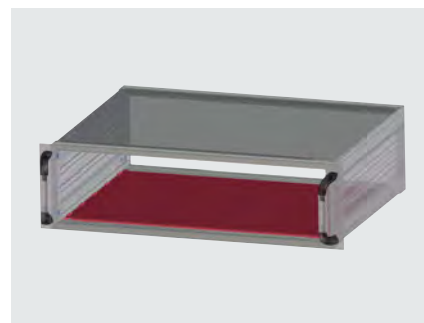
Earth conductor set



- for earth connection acc. to VDE

U	Order no.
2 / 3 / 4	264-000-10
6	264-000-11

Shelf



- for individual installation of components

HP	D mm	Order no.
84	231	264-311-96
	271	264-311-97
	311	264-311-98
	351	264-311-99