



The new handle bar **apraGrip speed** - functional and ergonomic. Mounting to front panels and cassettes will be fast and easy, realised by self-clamping nuts and TORX screws. The labelling strip from anodised aluminium in the front can easily be printed or marked with stickers.

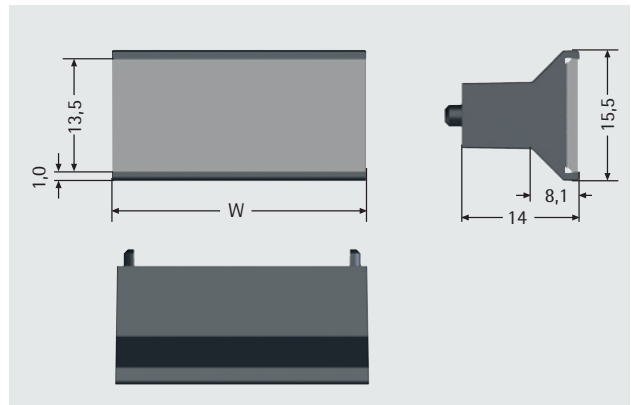
Handle bar **apraGrip speed** - simple as it gets!

Material: Polyamid 6

Colour: black / grey

Delivery:

Set consisting of plastic handle bar and labelling strip made of anodised aluminium



Note:

Please order 2x 4 HP handle bars for front panels of more than 14 HP width.

Please order assembly material for fastening the handle bar to the front panel separately:

TORX® oval head screw M2,5 x 14, Order no. 631-359

Square nut: Order no. 630-192

Width	Dimensions (WxHxD)	Order no. (Colour: black)	Order no. (Colour: grey)
3 HP	14 x 15,6 x 14 mm	250-754-03	250-754-73
4 HP	19 x 15,6 x 14 mm	250-754-04	250-754-74
5 HP	24 x 15,6 x 14 mm	250-754-05	250-754-75
6 HP	30 x 15,6 x 14 mm	250-754-06	250-754-76
7 HP	34,2 x 15,6 x 14 mm	250-754-07	250-754-77
8 HP	39,3 x 15,6 x 14 mm	250-754-08	250-754-78
10 HP	49,5 x 15,6 x 14 mm	250-754-10	250-754-80
12 HP	59,7 x 15,6 x 14 mm	250-754-12	250-754-82
14 HP	70 x 15,6 x 14 mm	250-754-14	250-754-84

apra-norm Elektromechanik GmbH

Bei der untersten Mühle 5 · D-54552 Mehren/Vulkaneifel · Phone: +49 (0) 65 92 204-0
 Fax: +49 (0) 65 92 204-158 · sales@apra.de · www.apra-norm.com

Subject to technical modification

23.01.2020